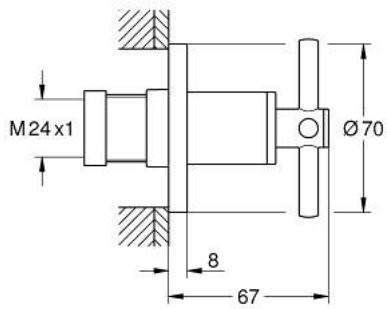


19 069 AL3 ATRIO CONCEALED VALVE EXPOSED PART



PRODUCT DESCRIPTION

- Colour: brushed hard graphite
- for GROHE concealed valve 35 028 000 or 29 032 000
- GROHE LongLife finish
- installation depth infinitely adjustable 20-80 mm
- escutcheon with screwable wall sealing
- with cross handle



19 069 AL3 ATRIO CONCEALED VALVE EXPOSED PART

SPARE PARTS, 4月 2017 – now

1: Extension for spindle (Spare part-nr. 45988000)

2: Cross handles (Spare part-nr. 18026AL3)

