

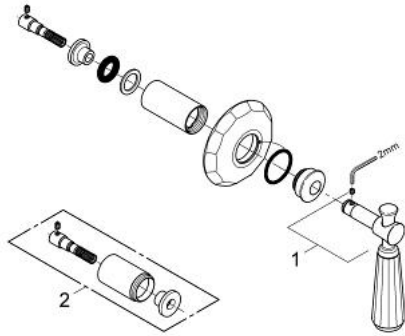
19 270 EN0 KENSINGTON CONCEALED VALVE EXPOSED PART



PRODUCT DESCRIPTION

- Colour: brushed nickel
- set for final installation for 29 273 (1/2" NPT) and 29 274 (3/4" NPT)
- adjustable installation depth
- lever handle
- GROHE LongLife finish
- for use with rough-in valve 29 273 & 29 274

19 270 EN0 KENSINGTON CONCEALED VALVE EXPOSED PART



SPARE PARTS, 4月 2007 – now

1: Lever (Spare part-nr. 18090EN0)

2: Extension for volume control (Spare part-nr. 45565EN0)*

* Optional accessories