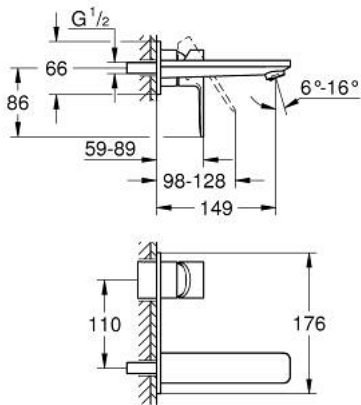


19 409 DC1 LINEARE 2-HOLE BASIN MIXER M-SIZE



PRODUCT DESCRIPTION

- Colour: Supersteel
- wall mounted
- trim set for use with rough-in set 23 571 000 / 32 635 000
- without concealed body
- metal escutcheon
- metal lever
- GROHE LongLife finish
- AquaCalibrator
- maximum flow rate (at 3 bar): 5 l/min
- GROHE AquaGuide adjustable mousseur
- centre distance 110 mm
- projection 149 mm
- minimum pressure 1,0 bar

19 409 DC1 LINEARE 2-HOLE BASIN MIXER M-SIZE

SPARE PARTS, September 2016 – now

1: Lever (Spare part-nr. 46982DC0)

2: Flow straightener (Spare part-nr. 46837DC0)

3: Extension (Spare part-nr. 46943000)*

* Optional accessories

