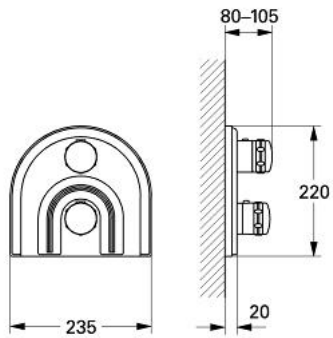


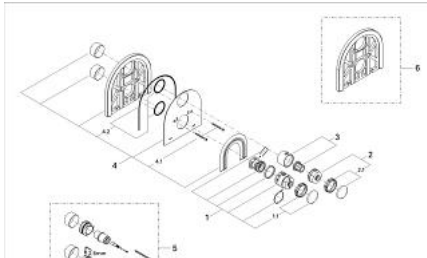
19 611 RR0 CHIARA THERMOSTAT



PRODUCT DESCRIPTION

- final installation set for 34 312
- without concealed body
- with escutcheon
- handle with economy button and individual adjustable economy stop
- temperature scale handle with SafeStop at 38°C
- individual limitable maximum temperature
- escutcheon- and shaft-sealings
- covered screws
- GROHE LongLife finish

19 611 RR0 CHIARA THERMOSTAT



SPARE PARTS, January 1991 – now

- 1: Scale handle (Spare part-nr. 47451IP0)
 - 1.1: Cap (Spare part-nr. 47452IP0)
 - 2: Handle for shut-off valve (Spare part-nr. 47453IP0)
 - 2.1: Cap (Spare part-nr. 47452IP0)
 - 3: Handle upper part (Spare part-nr. 47458P00)
 - 4: Flange (Spare part-nr. 47463P00)
 - 4.1: Screw (Spare part-nr. 47460000)
 - 4.2: Repl. kit f. seal (Spare part-nr. 47471000)
 - 5: Extension-set, 27,5 mm (Spare part-nr. 47461000)*
 - 6: Compensation ring (Spare part-nr. 47464P00)*
- * Optional accessories