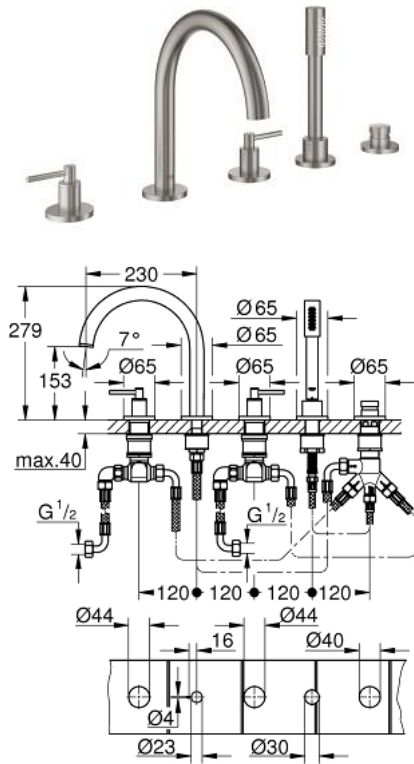


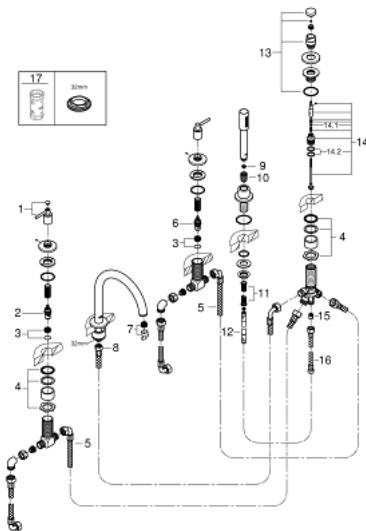
## 19 922 DC3 ATRIO 5-HOLE BATH/SHOWER COMBINATION



### PRODUCT DESCRIPTION

- Colour: Supersteel
- ceramic headparts 1/2", 90°
- GROHE LongLife finish
- consists of:
- pre-assembled spout fixing
- with lever handles
- bath spout with mousseur and diverter bath/spout
- hand shower Rainshower Aqua 6.5 l/min
- shower hose 2000 mm
- flexible connection hoses
- connection for shower hose
- Protected against backflow
- for use with baseframe 29 037 002 (please order separately)
- Two different sets of caps included. One set with "H" and "C" marking, one set without marking.

## 19 922 DC3 ATRIO 5-HOLE BATH/SHOWER COMBINATION



### SPARE PARTS, April 2017 – now

- 1: Lever handle bath (Spare part-nr. 18034DC3)
- 2: Ceramic headpart 3/4", 180° (Spare part-nr. 45888000)
- 3: Seat 3/4" (Spare part-nr. 45345000)
- 4: Repl.kit f.shank fastening 3/4" (Spare part-nr. 45444000)
- 5: Tube (Spare part-nr. 48019000)
- 6: Ceramic headpart 3/4", 180° (Spare part-nr. 45887000)
- 7: Mousseur (Spare part-nr. 13926000)
- 8: Tube (Spare part-nr. 48018000)
- 9: Dirt strainer (Spare part-nr. 0700200M)
- 10: Cone nut (Spare part-nr. 08864DC0)
- 11: Compression spring (Spare part-nr. 00869000)
- 12: Metal hose (Spare part-nr. 28146000)
- 13: Diverter knob (Spare part-nr. 48411DC0)
- 14: Diverter (Spare part-nr. 45443000)
- 14.1: O-ring  $\varnothing 6 \times \varnothing 2$  (Spare part-nr. 0128300M)
- 14.2: Seat washer (Spare part-nr. 0120500M)
- 15: Non-return valve (Spare part-nr. 08565000)
- 16: Tube (Spare part-nr. 07300000)
- 17: Socket spanner (Spare part-nr. 19332000)\*

\* Optional accessories