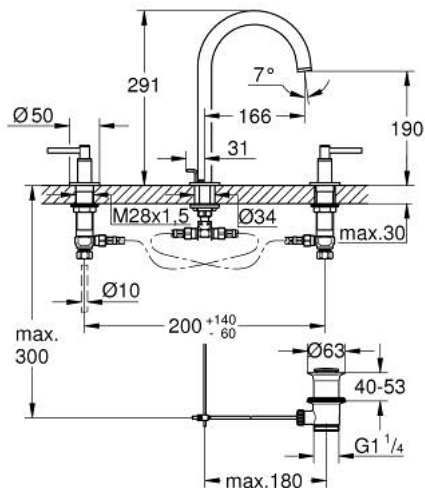


## 20 009 DC3 ATRIO 3-HOLE BASIN MIXER M-SIZE

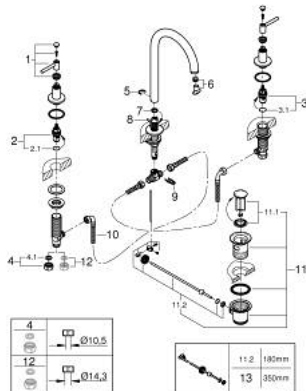


### PRODUCT DESCRIPTION

- Colour: Supersteel
- ceramic headparts 1/2", 90°
- GROHE LongLife finish
- GROHE EcoJoy 5.7 l/min laminar mousseur
- swivelling tubular spout with Mousseur and stop limiter
- pop-up waste set 1 1/4"
- flexible connection hoses between spout and side valves
- with lever handles
- Two different sets of caps included. One set with "H" and "C" marking, one set without marking.



## 20 009 DC3 ATRIO 3-HOLE BASIN MIXER M-SIZE



### SPARE PARTS, April 2017 – now

- 1: Lever handles (Spare part-nr. 18027DC3)
  - 2: Ceramic headpart, 1/2" (Spare part-nr. 45882000)
  - 2.1: O-ring  $\varnothing 18.2 \times \varnothing 1.7$  (Spare part-nr. 0392400M)
  - 3: Ceramic headpart, 1/2" (Spare part-nr. 45883000)
  - 3.1: O-ring  $\varnothing 18.2 \times \varnothing 1.7$  (Spare part-nr. 0392400M)
  - 4: Coupling nut 1/2" x 10.5 mm (Spare part-nr. 1290100M)
  - 4.1: Fibre seal dia. 12x2 mm (Spare part-nr. 0138900M)
  - 5: Safety ring (Spare part-nr. 4826600M)
  - 6: Flow straightener (Spare part-nr. 48408000)
  - 7: Sealing washer (Spare part-nr. 0128500M)
  - 8: Pop-up rod (Spare part-nr. 65196EN0)
  - 9: Fixing clamp (Spare part-nr. 6554100M)
  - 10: Flexible connection hose (Spare part-nr. 45704000)
  - 11: Pop-up waste set 1 1/4" (Spare part-nr. 28910DC0)
  - 11.1: Plug (Spare part-nr. 07182DC0)
  - 11.2: Eccentric rod (Spare part-nr. 07052000)
  - 12: Coupling nut 1/2" x 14.5 mm (Spare part-nr. 1290200M)\*
  - 13: Eccentric rod (Spare part-nr. 07341000)\*
- \* Optional accessories