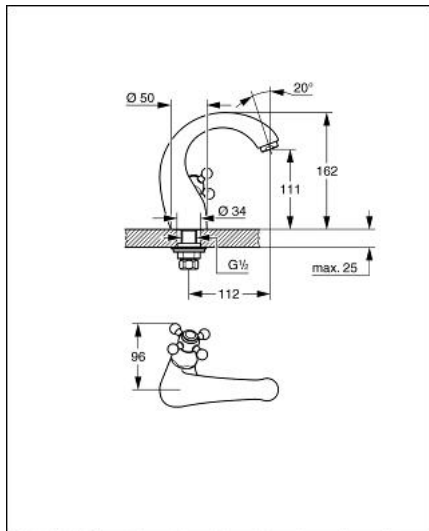


20 013 IG0 **SINFONIA PILLAR TAP**



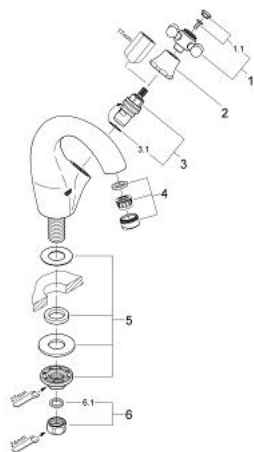
PRODUCT DESCRIPTION

- Colour: chrome/gold
- ceramic headpart 1/2", 180°
- cast spout with Mousseur
- with cross handle
- GROHE LongLife finish



Skizze:	Aut.-Mtl.	03977							
1:3	Datum:	26.05.00							
	Revisor:	Techniker							
	Geprüft:								
Distributormaterial	Prod.-Nr.								20.013
Bestellmaterial	Unst.								
X	Revisions								

20 013 IG0 SINFONIA PILLAR TAP



SPARE PARTS, June 2008 – now

- 1: Sinfonia cross handles (Spare part-nr. 452911G0)
- 1.1: Marking piece (Spare part-nr. 45305000)
- 2: Cap (Spare part-nr. 00061000)
- 3: Ceramic headpart, 1/2" (Spare part-nr. 45346000)
- 3.1: O-ring $\varnothing 18.2 \times \varnothing 1.7$ (Spare part-nr. 0392400M)
- 4: Mousseur (Spare part-nr. 13929G00)
- 5: Shank mounting kit (Spare part-nr. 45004000)
- 6: Coupling nut 1/2" x 10.5 mm (Spare part-nr. 1290100M)
- 6.1: Fibre seal dia. 12x2 mm (Spare part-nr. 0138900M)