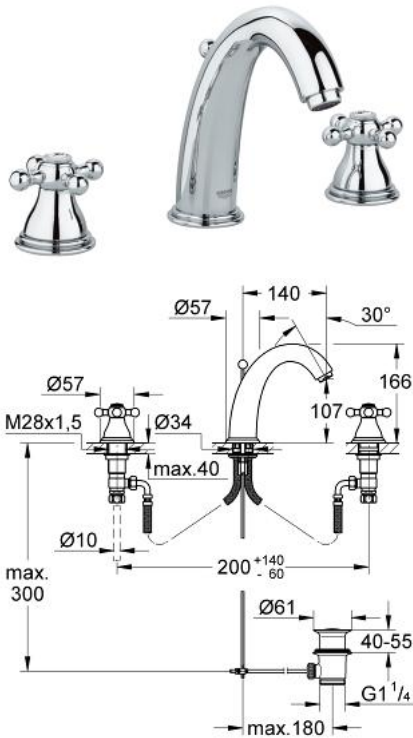


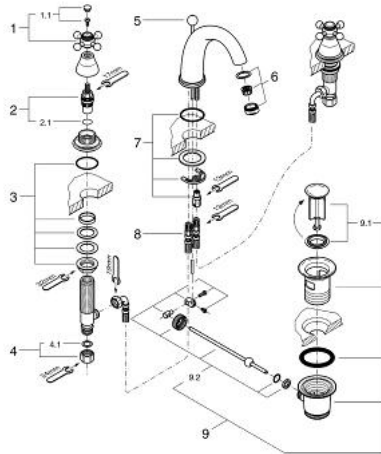
## 20 015 000 SINFONIA 3-HOLE BASIN MIXER



### PRODUCT DESCRIPTION

- Colour: chrome
- ceramic headparts 1/2", 180°
- high fixed cast spout with Mousseur
- projection 139 mm
- pressure-proof, flexible connection hoses
- pop-up waste set 1 1/4"
- pressure-proof, flexible connection hoses between middle-body and side valves
- union nut with 10.5 mm drilling
- with cross handles
- GROHE LongLife finish

## 20 015 000 SINFONIA 3-HOLE BASIN MIXER



### SPARE PARTS, July 2008 – now

- 1: Sinfonia cross handles (Spare part-nr. 45291000)
- 1.1: Marking piece (Spare part-nr. 45305000)
- 2: Ceramic headpart, 1/2" (Spare part-nr. 45346000)
- 2.1: O-ring  $\varnothing 18.2 \times \varnothing 1.7$  (Spare part-nr. 0392400M)
- 3: Shank fastening assembly (Spare part-nr. 45025000)
- 4: Coupling nut 1/2" x 10.5 mm (Spare part-nr. 1290100M)
- 4.1: Fibre seal dia. 12x2 mm (Spare part-nr. 0138900M)
- 5: Pop-up rod (Spare part-nr. 07511000)
- 6: Mousseur (Spare part-nr. 13929000)
- 7: Shank mounting kit (Spare part-nr. 46249000)
- 8: Flexible hose (Spare part-nr. 45461000)
- 9: Pop-up waste set 1 1/4" (Spare part-nr. 28910000)
- 9.1: Plug (Spare part-nr. 07182000)
- 9.2: Eccentric rod (Spare part-nr. 07052000)