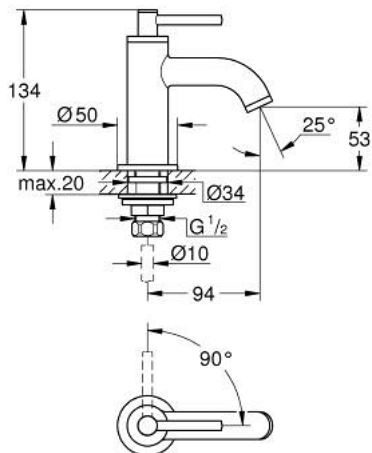


20 021 AL3 ATRIO PILLAR TAP 1/2" XS-SIZE

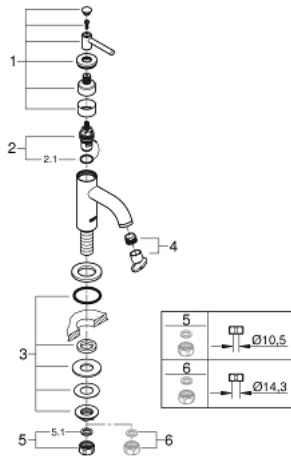


PRODUCT DESCRIPTION

- Colour: brushed hard graphite
- headpart 1/2" - 90°
- GROHE LongLife finish
- 5.7 l/min laminar mousseur
- rapid installation system
- mousseur
- fixed spout
- with lever handle



20 021 AL3 ATRIO PILLAR TAP 1/2" XS-SIZE



SPARE PARTS, 4月 2017 – now

- 1: Lever handles (Spare part-nr. 18027AL3)
 - 2: Ceramic headpart 1/2" (Spare part-nr. 45882000)
 - 2.1: O-ring Ø 18.2 x Ø 1.7 (Spare part-nr. 0392400M)
 - 3: Shank mounting kit (Spare part-nr. 45004000)
 - 4: Laminar flow straightener (Spare part-nr. 48408000)
 - 5: Coupling nut 1/2" (Spare part-nr. 1290100M)
 - 5.1: Fibre seal Ø 18,5 x Ø 12 x 2 (Spare part-nr. 0138900M)
 - 6: Coupling nut 1/2" x 14.5 mm (Spare part-nr. 1290200M)*
- * Optional accessories