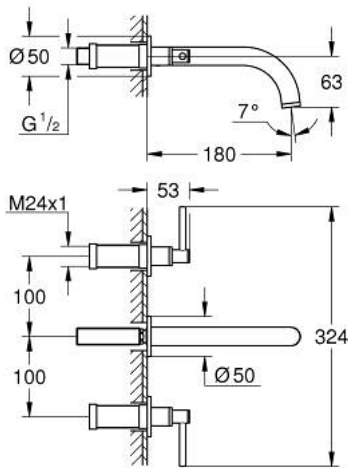


20 169 AL3 ATRIO 3-HOLE BASIN MIXER S-SIZE



PRODUCT DESCRIPTION

- Colour: brushed hard graphite
- wall mounted
- for use with rough-in set 29 025 002
- without concealed body
- valves hot/cold with ceramic headparts 1/2° - 90°
- GROHE LongLife finish
- 5.7 l/min laminar mousseur
- centre distance 200 mm
- projection 180 mm
- with lever handles
- Two different sets of caps included. One set with "H" and "C" marking, one set without marking.

20 169 AL3 ATRIO 3-HOLE BASIN MIXER S-SIZE

SPARE PARTS, April 2017 – now

- 1: Extension (Spare part-nr. 45988000)
- 2: Lever handles (Spare part-nr. 18027AL3)
- 3: Flow straightener (Spare part-nr. 48408000)

