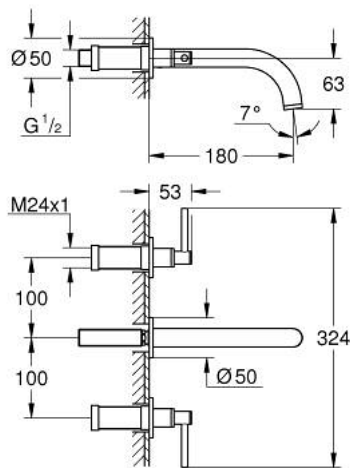


## 20 169 AL3 ATRIO 3-HOLE BASIN MIXER S-SIZE



### PRODUCT DESCRIPTION

- Colour: brushed hard graphite
- wall mounted
- for use with rough-in set 29 025 002
- without concealed body
- valves hot/cold with ceramic headparts 1/2" - 90°
- GROHE LongLife finish
- 5.7 l/min laminar mousseur
- center distance 200 mm
- projection 180 mm
- with lever handles
- Two different sets of caps included. One set with "H" and "C" marking, one set without marking.

## 20 169 AL3 ATRIO 3-HOLE BASIN MIXER S-SIZE

**SPARE PARTS**, 4月 2017 – now

1: Extension for spindle (Spare part-nr. 45988000)

2: Lever handles (Spare part-nr. 18027AL3)

3: Laminar flow straightener (Spare part-nr. 48408000)

