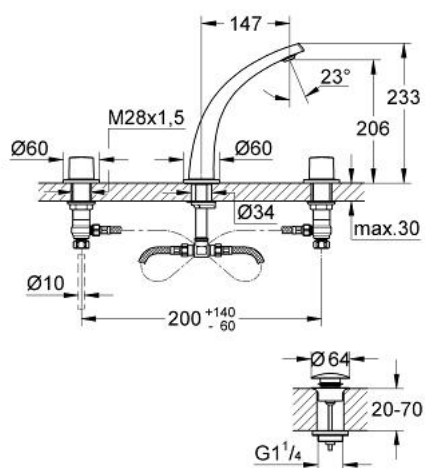


20 178 LS0 GROHE ONDUS 3-HOLE BASIN MIXER S-SIZE

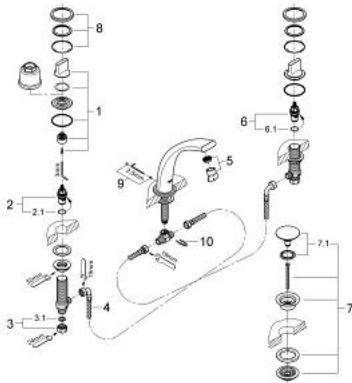


PRODUCT DESCRIPTION

- Colour: moon white
- ceramic headparts 1/2", 90°
- integrated mousseur
- Push-open waste set 1 1/4"
- pressure-proof, flexible connection hoses between spout and side valves
- click escutcheon
- flow limiter 14 l/min.
- minimum pressure 1,0 bar



20 178 LS0 GROHE ONDUS 3-HOLE BASIN MIXER S-SIZE



SPARE PARTS, May 2008 – now

- 1: Handle (Spare part-nr. 45985LS0)
- 2: Ceramic headpart, 1/2" (Spare part-nr. 45882000)
- 2.1: O-ring $\varnothing 18.2 \times \varnothing 1.7$ (Spare part-nr. 0392400M)
- 3: Coupling nut 1/2" x 10.5 mm (Spare part-nr. 1290100M)
- 3.1: Fibre seal dia. 12x2 mm (Spare part-nr. 0138900M)
- 4: Flexible connection hose (Spare part-nr. 45704000)
- 5: Mousseur (Spare part-nr. 48009000)
- 6: Ceramic headpart, 1/2" (Spare part-nr. 45883000)
- 6.1: O-ring $\varnothing 18.2 \times \varnothing 1.7$ (Spare part-nr. 0392400M)
- 7: Pop-up waste set (Spare part-nr. 65807LS0)
- 7.1: Nipple (Spare part-nr. 45986LS0)
- 8: Escutcheon (Spare part-nr. 45999LS0)
- 9: Fixing set (Spare part-nr. 48003000)
- 10: Fixing clamp (Spare part-nr. 6554100M)