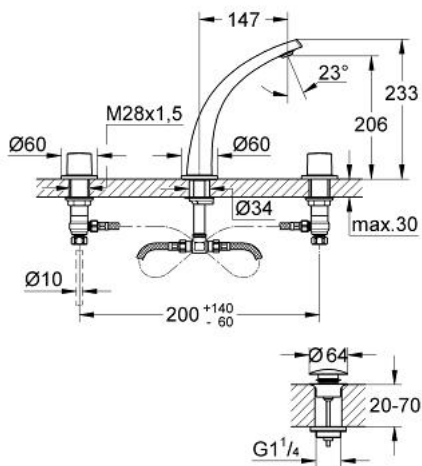


20 178 LS0 GROHE ONDUS THREE-HOLE BASIN MIXER S-SIZE

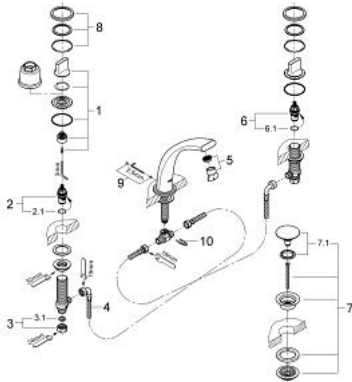


PRODUCT DESCRIPTION

- Colour: moon white
- ceramic headparts 1/2", 90°
- integrated mousseur
- push-open waste set 1 1/4"
- pressure-proof flexible connection hoses between spout and side valves
- click escutcheon
- flow limiter 14 l/min.
- min. recommended pressure 1.0 bar



20 178 LS0 GROHE ONDUS THREE-HOLE BASIN MIXER S-SIZE



SPARE PARTS, 5月 2008 – now

- 1: Handle (Spare part-nr. 45985LS0)
- 2: Ceramic headpart 1/2" (Spare part-nr. 45882000)
- 2.1: O-ring Ø 18.2 x Ø 1.7 (Spare part-nr. 0392400M)
- 3: Coupling nut 1/2" (Spare part-nr. 1290100M)
- 3.1: Fibre seal Ø 18,5 x Ø 12 x 2 (Spare part-nr. 0138900M)
- 4: Flexible connection hose (Spare part-nr. 45704000)
- 5: Mousseur (Spare part-nr. 48009000)
- 6: Ceramic headpart 1/2" (Spare part-nr. 45883000)
- 6.1: O-ring Ø 18.2 x Ø 1.7 (Spare part-nr. 0392400M)
- 7: Waste set with push-open plug (Spare part-nr. 65807LS0)
- 7.1: Nipple (Spare part-nr. 45986LS0)
- 8: Escutcheon (Spare part-nr. 45999LS0)
- 9: Fixing set (Spare part-nr. 48003000)
- 10: Fixing clamp (Spare part-nr. 6554100M)