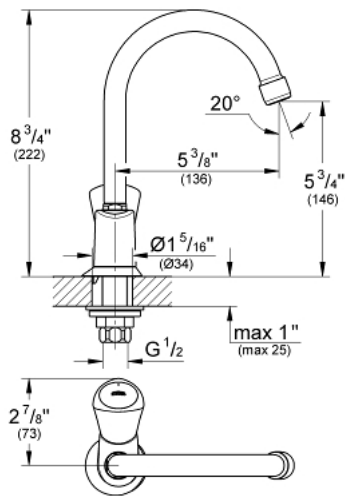


20 179 001 **COSTA S PILLAR TAP**

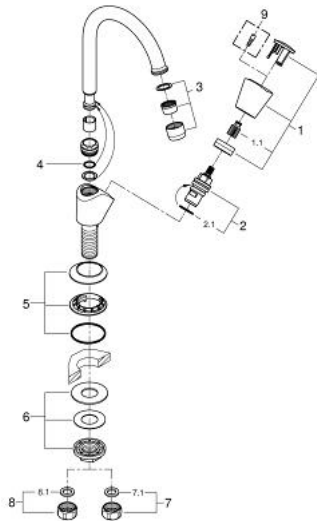


PRODUCT DESCRIPTION

- Colour: chrome
- metal handle
- heat-insulated
- screwable
- GROHE LongLife finish
- ceramic headpart
- flow straightener
- swivel tubular spout, swivel area 360°
- union nut 1/2" with 10,5 mm-bore



20 179 001 COSTA S PILLAR TAP



SPARE PARTS, April 2014 – now

- 1: Handle (Spare part-nr. 45995000)
- 1.1: Repl. kit f.handle fastening (Spare part-nr. 0538600M)
- 2: Ceramic headpart, 1/2" (Spare part-nr. 45882000)
- 2.1: O-ring $\varnothing 18.2 \times \varnothing 1.7$ (Spare part-nr. 0392400M)
- 3: Mousseur (Spare part-nr. 48251000)
- 4: O-ring dia. 12x2 mm (Spare part-nr. 0128000M)
- 5: Escutcheon (Spare part-nr. 45996000)
- 6: Shank mounting kit (Spare part-nr. 45004000)
- 7: Coupling nut 1/2" x 10.5 mm (Spare part-nr. 1290100M)
- 7.1: Fibre seal dia. 12x2 mm (Spare part-nr. 0138900M)
- 8: Coupling nut 1/2" x 14.5 mm (Spare part-nr. 1290200M)
- 8.1: Fibre seal dia. 12x2 mm (Spare part-nr. 0138900M)
- 9: Screw for Costa/Avina products (Spare part-nr. 48013000)*

* Optional accessories