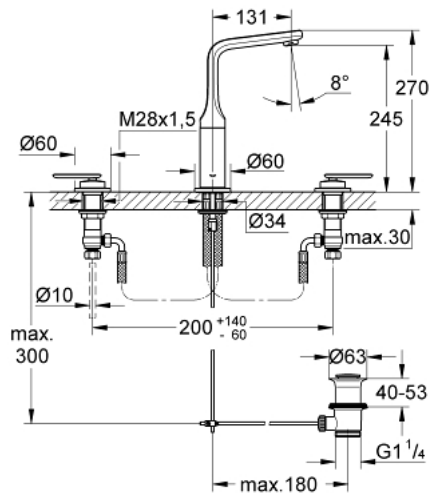


## 20 180 000 VERIS 3-HOLE BASIN MIXER M-SIZE

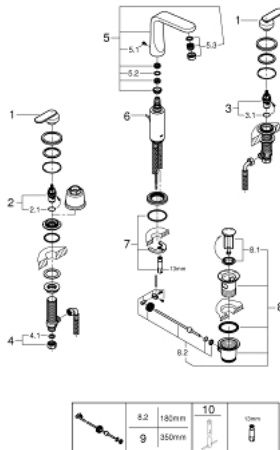


### PRODUCT DESCRIPTION

- Colour: chrome
- ceramic headparts 1/2", 90°
- GROHE LongLife finish
- SpeedClean Mousseur
- swivelling spout
- stop limiter
- pop-up waste set 1 1/4"
- pressure-proof, flexible connection hoses between spout and side valves
- union nut with 10.5 mm drilling



## 20 180 000 VERIS 3-HOLE BASIN MIXER M-SIZE



### SPARE PARTS, September 2016 – now

- 1: Handle pair (Spare part-nr. 48305000)
  - 2: Ceramic headpart, 1/2" (Spare part-nr. 45882000)
  - 2.1: O-ring  $\varnothing 18.2 \times \varnothing 1.7$  (Spare part-nr. 0392400M)
  - 3: Ceramic headpart, 1/2" (Spare part-nr. 45883000)
  - 3.1: O-ring  $\varnothing 18.2 \times \varnothing 1.7$  (Spare part-nr. 0392400M)
  - 4: Coupling nut 1/2" x 10.5 mm (Spare part-nr. 1290100M)
  - 4.1: Fibre seal dia. 12x2 mm (Spare part-nr. 0138900M)
  - 5: Spout (Spare part-nr. 13246000)
  - 5.1: Set of screws (Spare part-nr. 46670000)
  - 5.2: Sealing washer (Spare part-nr. 0128500M)
  - 5.3: Flow straightener (Spare part-nr. 64447000)
  - 6: Pop-up rod (Spare part-nr. 46739000)
  - 7: Shank mounting kit (Spare part-nr. 46671000)
  - 8: Pop-up waste set 1 1/4" (Spare part-nr. 28910000)
  - 8.1: Plug (Spare part-nr. 07182000)
  - 8.2: Eccentric rod (Spare part-nr. 07052000)
  - 9: Eccentric rod (Spare part-nr. 07341000)\*
  - 10: Mounting wrench (Spare part-nr. 19017000)\*
- \* Optional accessories