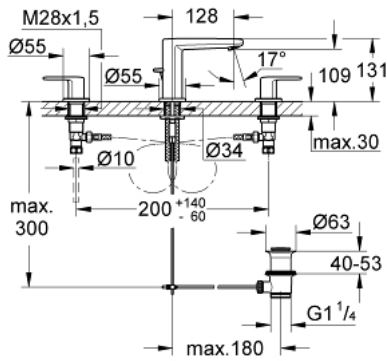


20 301 000 EUROPLUS 3-HOLE BASIN MIXER S-SIZE

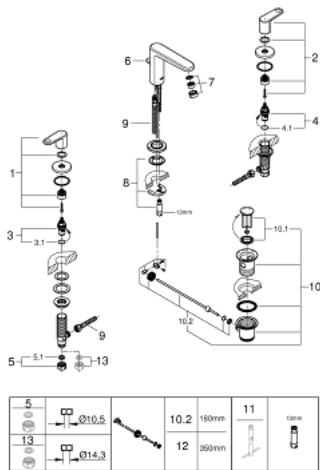


PRODUCT DESCRIPTION

- Colour: chrome
- ceramic headparts 1/2", 90°
- GROHE LongLife finish
- GROHE FastFixation installation system with centering support
- spout with mousseur
- pop-up waste set 1 1/4"
- pressure-proof, flexible connection hoses between spout and side valves
- union nut with 10.5 mm drilling



20 301 000 EUROPLUS 3-HOLE BASIN MIXER S-SIZE



SPARE PARTS, February 2013 – now

- 1: Handle red (Spare part-nr. 48107000)
- 2: Handle blue (Spare part-nr. 48108000)
- 3: Ceramic headpart, 1/2" (Spare part-nr. 45882000)
- 3.1: O-ring $\varnothing 18.2 \times \varnothing 1.7$ (Spare part-nr. 0392400M)
- 4: Ceramic headpart, 1/2" (Spare part-nr. 45883000)
- 4.1: O-ring $\varnothing 18.2 \times \varnothing 1.7$ (Spare part-nr. 0392400M)
- 5: Coupling nut 1/2" x 10.5 mm (Spare part-nr. 1290100M)
- 5.1: Fibre seal dia. 12x2 mm (Spare part-nr. 0138900M)
- 6: Pop-up rod (Spare part-nr. 64304000)
- 7: Mousseur (Spare part-nr. 13929000)
- 8: Shank mounting kit (Spare part-nr. 46671000)
- 9: Connection hose (Spare part-nr. 46255000)
- 10: Pop-up waste set 1 1/4" (Spare part-nr. 28910000)
- 10.1: Plug (Spare part-nr. 07182000)
- 10.2: Eccentric rod (Spare part-nr. 07052000)
- 11: Mounting wrench (Spare part-nr. 19017000)*
- 12: Eccentric rod (Spare part-nr. 07341000)*
- 13: Coupling nut 1/2" x 14.5 mm (Spare part-nr. 1290200M)*

* Optional accessories