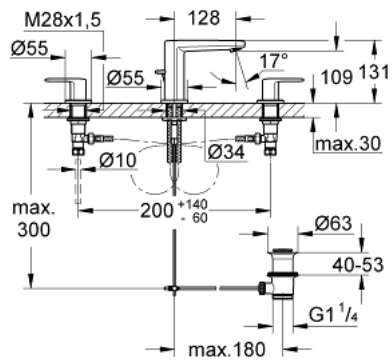


20 301 000 EUROPLUS 3-HOLE BASIN MIXER S-SIZE

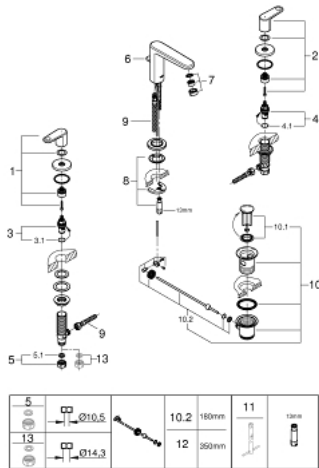


PRODUCT DESCRIPTION

- Colour: chrome
- ceramic headparts 1/2", 90°
- GROHE LongLife finish
- GROHE FastFixation installation system with centering support
- spout with mousseur
- pop-up waste set 1 1/4"
- pressure-proof flexible connection hoses between spout and side valves
- union nut with 10.5 mm drilling



20 301 000 EUROPLUS 3-HOLE BASIN MIXER S-SIZE



SPARE PARTS, 2月 2013 – now

- 1: Handle red (Spare part-nr. 48107000)
 - 2: Handle blue (Spare part-nr. 48108000)
 - 3: Ceramic headpart 1/2" (Spare part-nr. 45882000)
 - 3.1: O-ring $\varnothing 18,2 \times \varnothing 1,7$ (Spare part-nr. 0392400M)
 - 4: Ceramic headpart 1/2" (Spare part-nr. 45883000)
 - 4.1: O-ring $\varnothing 18,2 \times \varnothing 1,7$ (Spare part-nr. 0392400M)
 - 5: Coupling nut 1/2" (Spare part-nr. 1290100M)
 - 5.1: Fibre seal $\varnothing 18,5 \times \varnothing 12 \times 2$ (Spare part-nr. 0138900M)
 - 6: Pop-up rod (Spare part-nr. 64304000)
 - 7: Mousseur (Spare part-nr. 13929000)
 - 8: Shank mounting kit (Spare part-nr. 46671000)
 - 9: Connection hose (Spare part-nr. 46255000)
 - 10: Waste set 1 1/4" (Spare part-nr. 28910000)
 - 10.1: Plug (Spare part-nr. 07182000)
 - 10.2: Eccentric rod (Spare part-nr. 07052000)
 - 11: Mounting wrench (Spare part-nr. 19017000)*
 - 12: Eccentric rod (Spare part-nr. 07341000)*
 - 13: Coupling nut 1/2" x 14.5 mm (Spare part-nr. 1290200M)*
- * Optional accessories