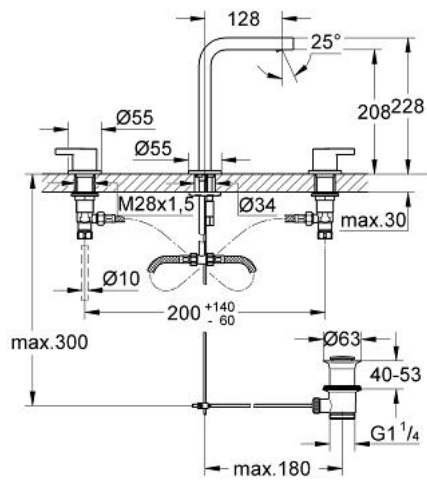


## 20 305 000 LINEARE 3-HOLE BASIN MIXER M-SIZE

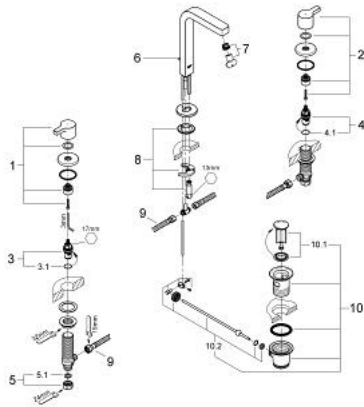


### PRODUCT DESCRIPTION

- Colour: chrome
- mousseur
- GROHE LongLife finish
- ceramic headparts 1/2", 90°
- pop-up waste set 1 1/4"
- GROHE FastFixation installation system with centering support
- pressure-proof, flexible connection hoses between spout and side valves
- union nut with 10.5 mm drilling



## 20 305 000 LINEARE 3-HOLE BASIN MIXER M-SIZE



### SPARE PARTS, August 2010 – now

- 1: Lineare handle red (Spare part-nr. 48109000)
  - 2: Lineare handle blue (Spare part-nr. 48110000)
  - 3: Ceramic headpart, 1/2" (Spare part-nr. 45882000)
  - 3.1: O-ring  $\varnothing 18.2 \times \varnothing 1.7$  (Spare part-nr. 0392400M)
  - 4: Ceramic headpart, 1/2" (Spare part-nr. 45883000)
  - 4.1: O-ring  $\varnothing 18.2 \times \varnothing 1.7$  (Spare part-nr. 0392400M)
  - 5: Coupling nut 1/2" x 14.5 mm (Spare part-nr. 1290200M)
  - 5.1: Fibre seal dia. 12x2 mm (Spare part-nr. 0138900M)
  - 6: Pop-up rod (Spare part-nr. 65196000)
  - 7: Mousseur (Spare part-nr. 13994000)
  - 8: Shank mounting kit (Spare part-nr. 46671000)
  - 9: Flexible hose (Spare part-nr. 45442000)
  - 10: Pop-up waste set 1 1/4" (Spare part-nr. 28910000)
  - 10.1: Plug (Spare part-nr. 07182000)
  - 10.2: Eccentric rod (Spare part-nr. 07052000)
  - 11: Eccentric rod (Spare part-nr. 07341000)\*
  - 12: Mounting wrench (Spare part-nr. 19017000)\*
- \* Optional accessories