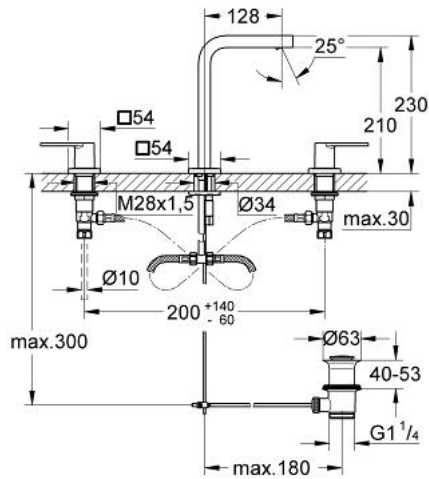


20 307 000 **QUADRA 3-HOLE BASIN MIXER** **M-SIZE**

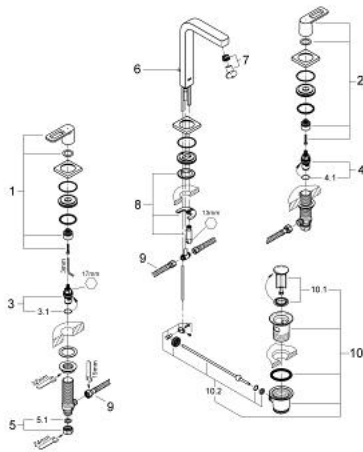


PRODUCT DESCRIPTION

- Colour: chrome
- mousseur
- GROHE LongLife finish
- ceramic headparts 1/2", 90°
- pop-up waste set 1 1/4"
- GROHE FastFixation installation system with centering support
- pressure-proof, flexible connection hoses between spout and side valves
- union nut with 10.5 mm drilling



20 307 000 **QUADRA 3-HOLE BASIN MIXER** **M-SIZE**



SPARE PARTS, August 2010 – now

- 1: Handle Quadra red (Spare part-nr. 48111000)
- 2: Handle Quadra blue (Spare part-nr. 48112000)
- 3: Ceramic headpart, 1/2" (Spare part-nr. 45882000)
- 3.1: O-ring $\varnothing 18.2 \times \varnothing 1.7$ (Spare part-nr. 0392400M)
- 4: Ceramic headpart, 1/2" (Spare part-nr. 45883000)
- 4.1: O-ring $\varnothing 18.2 \times \varnothing 1.7$ (Spare part-nr. 0392400M)
- 5: Coupling nut 1/2" x 14.5 mm (Spare part-nr. 1290200M)
- 5.1: Fibre seal dia. 12x2 mm (Spare part-nr. 0138900M)
- 6: Mousseur (Spare part-nr. 13994000)
- 7: Pop-up rod (Spare part-nr. 65196000)
- 8: Shank mounting kit (Spare part-nr. 46671000)
- 9: Pop-up waste set 1 1/4" (Spare part-nr. 28910000)
- 9.1: Plug (Spare part-nr. 07182000)
- 9.2: Eccentric rod (Spare part-nr. 07052000)
- 10: Flexible hose (Spare part-nr. 45442000)
- 11: Eccentric rod (Spare part-nr. 07341000)*
- 12: Mounting wrench (Spare part-nr. 19017000)*

* Optional accessories