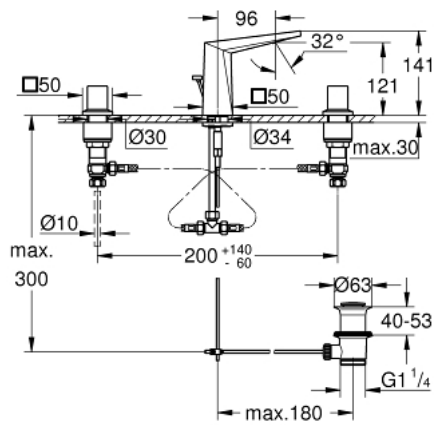


## 20 342 000 ALLURE BRILLIANT 3-HOLE BASIN MIXER S-SIZE

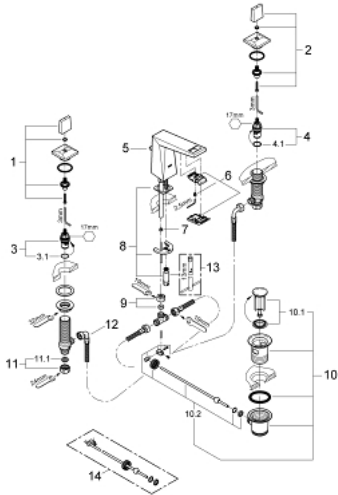


### PRODUCT DESCRIPTION

- Colour: chrome
- ceramic headparts 1/2", 90°
- GROHE EcoJoy 5.0 l/min flow limiter
- low spout with integrated mousseur
- pop-up waste set 1 1/4"
- pressure-proof flexible connection hoses between spout and side valves
- min. recommended pressure 1.0 bar



## 20 342 000 ALLURE BRILLIANT 3-HOLE BASIN MIXER S-SIZE



### SPARE PARTS, 8月 2010 – now

- 1: Allure Brilliant handle red (Spare part-nr. 48129000)
- 2: Allure Brilliant handle blue (Spare part-nr. 48130000)
- 3: Ceramic headpart 1/2" (Spare part-nr. 45882000)
- 3.1: O-ring Ø 18.2 x Ø 1.7 (Spare part-nr. 0392400M)
- 4: Ceramic headpart 1/2" (Spare part-nr. 45883000)
- 4.1: O-ring Ø 18.2 x Ø 1.7 (Spare part-nr. 0392400M)
- 5: Pop-up rod (Spare part-nr. 46787000)
- 6: Race (Spare part-nr. 46794000)
- 7: Flow limiter (Spare part-nr. 48160000)
- 8: Shank mounting kit (Spare part-nr. 46671000)
- 9: Compression union 3/8" (Spare part-nr. 12914000)
- 10: Waste set 1 1/4" (Spare part-nr. 28910000)
- 10.1: Plug (Spare part-nr. 07182000)
- 10.2: Eccentric rod (Spare part-nr. 07052000)
- 11: Coupling nut 1/2" (Spare part-nr. 1290100M)
- 11.1: Fibre seal Ø 18,5 x Ø 12 x 2 (Spare part-nr. 0138900M)
- 12: Flexible connection hose (Spare part-nr. 45704000)
- 13: Mounting wrench (Spare part-nr. 19017000)\*
- 14: Eccentric rod (Spare part-nr. 07341000)\*

\* Optional accessories