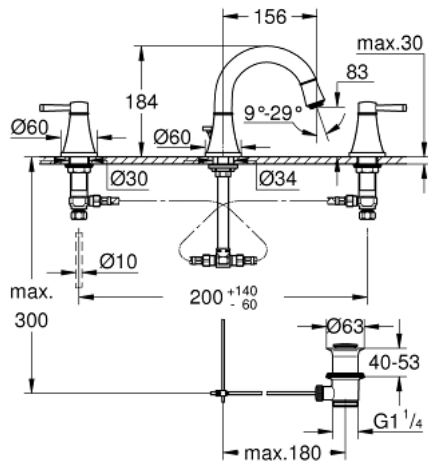


20 417 IG0 GRANDERA 3-HOLE BASIN MIXER S-SIZE

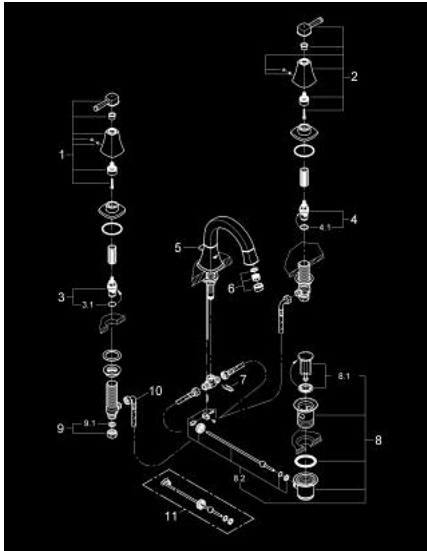


PRODUCT DESCRIPTION

- Colour: chrome/gold
- valves hot/cold with ceramic headparts 1/2" - 90°
- GROHE LongLife finish
- GROHE EcoJoy - less water, perfect flow
- GROHE AquaGuide adjustable mousseur 5.7 l/min
- pop-up waste set 1 1/4"
- pressure-proof, flexible connection hoses between spout and side valves
- minimum pressure 1,0 bar



20 417 IG0 GRANDERA 3-HOLE BASIN MIXER S-SIZE



SPARE PARTS, June 2012 – now

- 1: Grandera handle red (Spare part-nr. 48198IG0)
- 2: Grandera handle blue (Spare part-nr. 48199IG0)
- 3: Ceramic headpart, 1/2" (Spare part-nr. 45882000)
- 3.1: O-ring $\varnothing 18.2 \times \varnothing 1.7$ (Spare part-nr. 0392400M)
- 4: Ceramic headpart, 1/2" (Spare part-nr. 45883000)
- 4.1: O-ring $\varnothing 18.2 \times \varnothing 1.7$ (Spare part-nr. 0392400M)
- 5: Lift rod (Spare part-nr. 48200000)
- 6: Flow straightener (Spare part-nr. 46837G00)
- 7: Fixing clamp (Spare part-nr. 6554100M)
- 8: Pop-up waste set 1 1/4" (Spare part-nr. 28910000)
- 8.1: Plug (Spare part-nr. 07182000)
- 8.2: Eccentric rod (Spare part-nr. 07052000)
- 9: Coupling nut 1/2" x 10.5 mm (Spare part-nr. 1290100M)
- 9.1: Fibre seal dia. 12x2 mm (Spare part-nr. 0138900M)
- 10: Flexible connection hose (Spare part-nr. 45704000)
- 11: Eccentric rod (Spare part-nr. 07341000)*

* Optional accessories