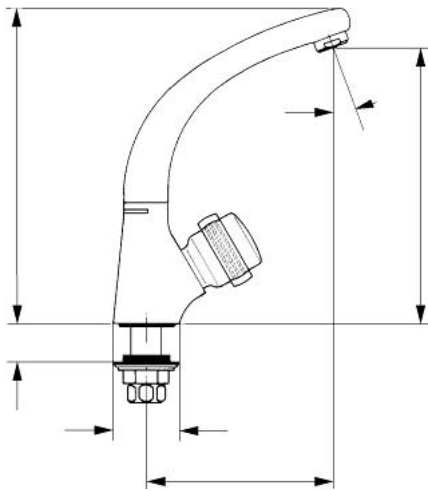


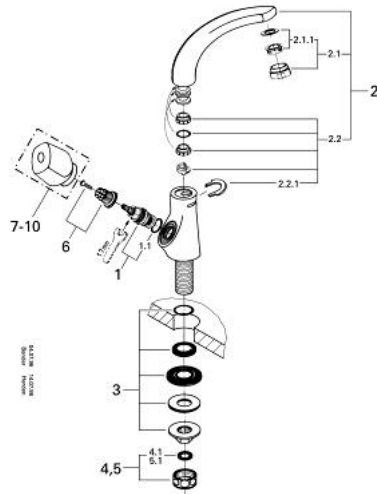
20 601 000 **FLORIDA PILLAR TAP 1/2"**



PRODUCT DESCRIPTION

- Colour: chrome
- Carbodur ceramic headparts 1/2", 180°
- swivel cast spout with mousseur and lockable stop limiter
- pop-up waste set 1 1/4"
- without handle
- GROHE LongLife finish

20 601 000 FLORIDA PILLAR TAP 1/2"



20.601

SPARE PARTS, 1月 1985 – now

- 1: Ceramic headpart 1/2" (Spare part-nr. 45346000)
 - 1.1: O-ring Ø 18.2 x Ø 1.7 (Spare part-nr. 0392400M)
 - 2: Cast swivel spout (Spare part-nr. 13428000)
 - 2.1: Mousseur (Spare part-nr. 13929000)
 - 2.1.1: Replacement flow control M22x1 and M24x1 (Spare part-nr. 45002000)
 - 2.2: Spout connection set (Spare part-nr. 45474000)
 - 2.2.1: Safety disc (Spare part-nr. 0585000M)
 - 3: Shank fastening assembly 1/2" (Spare part-nr. 45000000)
 - 4: Coupling nut 1/2" (Spare part-nr. 1290100M)
 - 4.1: Fibre seal Ø 18,5 x Ø 12 x 2 (Spare part-nr. 0138900M)
 - 5: Coupling nut 1/2" x 14.5 mm (Spare part-nr. 1290200M)
 - 5.1: Fibre seal Ø 18,5 x Ø 12 x 2 (Spare part-nr. 0138900M)
 - 6: Replacement handle connection kit (Spare part-nr. 45186000)
 - 6.1: O-ring Ø 18.2 x Ø 1.7 (Spare part-nr. 0392400M)
 - 7: Handle (Spare part-nr. 45180000)*
 - 8: Florida handle 115 (Spare part-nr. 45230000)*
 - 9: Florida handle (500) (Spare part-nr. 45206000)*
 - 10: Dorina handle (510) (Spare part-nr. 45207000)*
- * Optional accessories