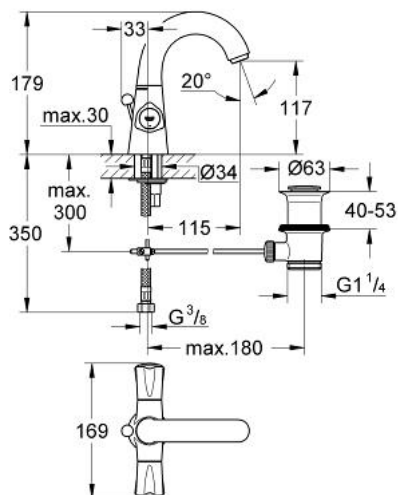


21 093 000 AVINA SINGLE-HOLE BASIN MIXER

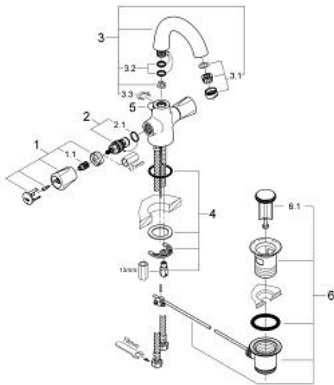


PRODUCT DESCRIPTION

- Colour: chrome
- metal handles
- heat-insulated
- screwable
- Carbodur headpart
- swivelling tubular spout with Mousseur
- pop-up waste set 1 1/4"
- flexible connection hoses
- GROHE LongLife finish



21 093 000 AVINA SINGLE-HOLE BASIN MIXER



SPARE PARTS, June 2007 – now

- 1: handle Atlanta (Spare part-nr. 45993000)
- 1.1: Repl. kit f.handle fastening (Spare part-nr. 0538600M)
- 2: Ceramic headpart, 1/2" (Spare part-nr. 45346000)
- 2.1: O-ring $\varnothing 18.2 \times \varnothing 1.7$ (Spare part-nr. 0392400M)
- 3: Spout (Spare part-nr. 13221000)
- 3.1: Mousseur (Spare part-nr. 13929000)
- 3.2: Sealing washer (Spare part-nr. 0128500M)
- 3.3: Safety ring (Spare part-nr. 0806500M)
- 3.3: Safety washer (Spare part-nr. 6411000M)
- 4: Shank mounting kit (Spare part-nr. 46249000)
- 5: Pop-up rod (Spare part-nr. 65412000)
- 6: Pop-up waste set (Spare part-nr. 28915000)
- 6.1: Plug (Spare part-nr. 45210000)