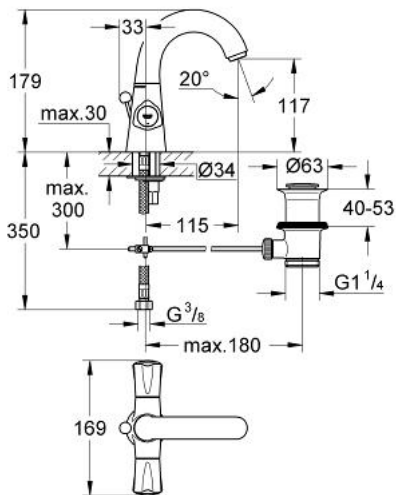


## 21 093 000 AVINA ONE-HOLE BASIN MIXER, 1/2"

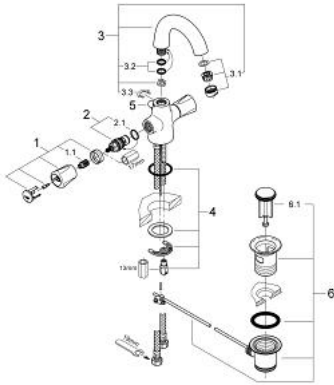


### PRODUCT DESCRIPTION

- Colour: chrome
- metal handles
- heat insulated
- screwable
- Carbodur headpart
- swivel tubular spout with mousseur
- pop-up waste set 1 1/4"
- flexible connection hoses
- GROHE LongLife finish



## 21 093 000 AVINA ONE-HOLE BASIN MIXER, 1/2"



### SPARE PARTS, 6月 2007 – now

- 1: Handle Atlanta (Spare part-nr. 45993000)
- 1.1: Snap insert (Spare part-nr. 0538600M)
- 2: Ceramic headpart 1/2" (Spare part-nr. 45346000)
- 2.1: O-ring  $\varnothing 18.2 \times \varnothing 1.7$  (Spare part-nr. 0392400M)
- 3: Spout (Spare part-nr. 13221000)
- 3.1: Mousseur (Spare part-nr. 13929000)
- 3.2: Sealing washer (Spare part-nr. 0128500M)
- 3.3: Safety ring (Spare part-nr. 0806500M)
- 3.3: Safety disc (Spare part-nr. 6411000M)
- 4: Shank mounting kit (Spare part-nr. 46249000)
- 5: Pop-up rod (Spare part-nr. 65412000)
- 6: Waste fitting (Spare part-nr. 28915000)
- 6.1: Plug (Spare part-nr. 45210000)