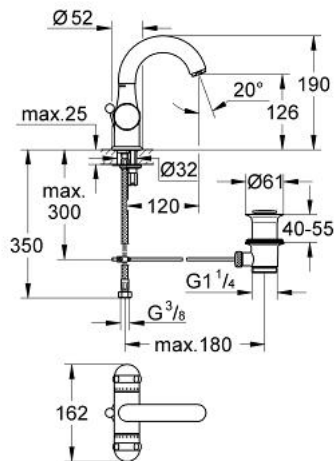


21 106 000 SENTOSA ONE-HOLE BASIN MIXER, 1/2"

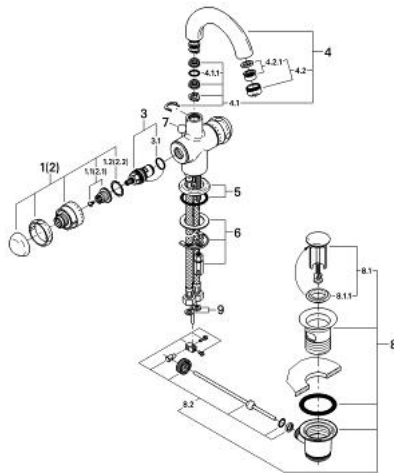


PRODUCT DESCRIPTION

- Colour: chrome
- Carbodur ceramic headparts 1/2", 180°
- swivel tubular spout with mousseur and stop limiter
- pop-up waste set 1 1/4"
- flexible connection hoses
- rapid installation system
- GROHE LongLife finish



21 106 000 SENTOSA ONE-HOLE BASIN MIXER, 1/2"



SPARE PARTS, 1月 1993 – now

- 1: Handle 1/2", red (Sentosa) (Spare part-nr. 45539IP0)
- 1.1: Replacement handle connection kit (Spare part-nr. 45186000)
 - 1.1.1: O-ring Ø 18.2 x Ø 1.7 (Spare part-nr. 0392400M)
- 1.2: Guide ring (Spare part-nr. 0202100M)
- 2: Handle 1/2" (Sentosa) (Spare part-nr. 45538IP0)
- 2.1: Replacement handle connection kit (Spare part-nr. 45186000)
- 2.2: Guide ring (Spare part-nr. 0202100M)
- 3: Ceramic headpart 1/2" (Spare part-nr. 45346000)
 - 3.1: O-ring Ø 18.2 x Ø 1.7 (Spare part-nr. 0392400M)
- 4: Cast swivel spout (Spare part-nr. 13014000)
 - 4.1: Sealing washer (Spare part-nr. 0128500M)
 - 4.2: Safety ring (Spare part-nr. 0485300M)
 - 4.3: Mousseur (Spare part-nr. 13929000)
- 5: Escutcheon (Spare part-nr. 45540000)
- 6: Shank mounting kit (Spare part-nr. 46249000)
- 7: Pop-up rod (Spare part-nr. 45541P00)
- 8: Waste set 1 1/4" (Spare part-nr. 28910000)
 - 8.1: Plug (Spare part-nr. 07182000)
 - 8.2: Eccentric rod (Spare part-nr. 07052000)
- 9: Fibre seal Ø 14.5 x Ø 8 x 2 (Spare part-nr. 0138300M)