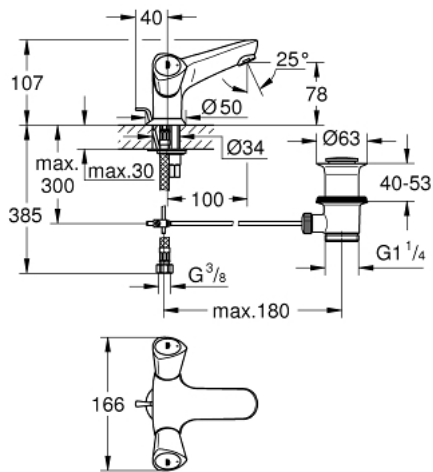


21 255 001 COSTA S SINGLE-HOLE BASIN MIXER

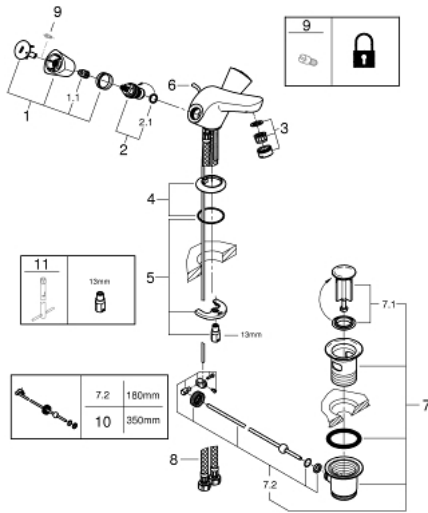


PRODUCT DESCRIPTION

- Colour: chrome
- metal handles
- heat-insulated
- screwable
- Carbodur headpart
- cast spout with mousseur
- pop-up waste set 1 1/4"
- flexible connection hoses
- GROHE LongLife finish



21 255 001 COSTA S SINGLE-HOLE BASIN MIXER



SPARE PARTS, August 2016 – now

- 1: Handle (Spare part-nr. 45995000)
 - 1.1: Repl. kit f.handle fastening (Spare part-nr. 0538600M)
 - 2: Ceramic headpart, 1/2" (Spare part-nr. 45346000)
 - 2.1: O-ring $\varnothing 18.2 \times \varnothing 1.7$ (Spare part-nr. 0392400M)
 - 3: Mousseur (Spare part-nr. 13929000)
 - 4: Escutcheon (Spare part-nr. 48004000)
 - 5: Shank mounting kit (Spare part-nr. 46249000)
 - 6: Lift rod (Spare part-nr. 65936PD0)
 - 7: Pop-up waste set 1 1/4" (Spare part-nr. 28910000)
 - 7.1: Plug (Spare part-nr. 07182000)
 - 7.2: Eccentric rod (Spare part-nr. 07052000)
 - 8: Connection hose (Spare part-nr. 46255000)
 - 9: Screw for Costa/Avina products (Spare part-nr. 48013000)*
 - 10: Eccentric rod (Spare part-nr. 07341000)*
 - 11: Mounting wrench (Spare part-nr. 19017000)*
- * Optional accessories