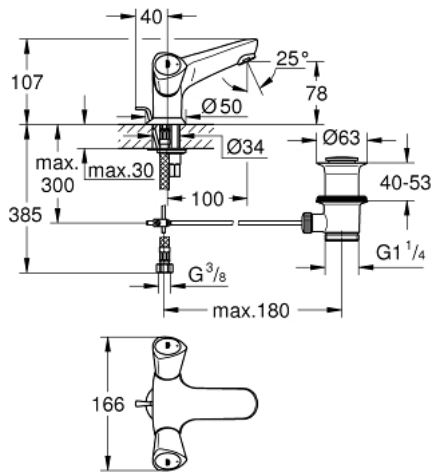


## 21 255 001 COSTA S ONE-HOLE BASIN MIXER, 1/2"

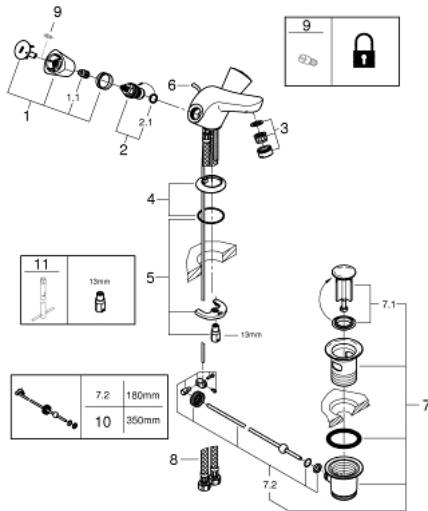


### PRODUCT DESCRIPTION

- Colour: chrome
- metal handles
- heat insulated
- screwable
- Carbodur headpart
- cast spout with mousseur
- pop-up waste set 1 1/4"
- flexible connection hoses
- GROHE LongLife finish



## 21 255 001 COSTA S ONE-HOLE BASIN MIXER, 1/2"



### SPARE PARTS, 8月 2016 – now

- 1: Handle (Spare part-nr. 45995000)
- 1.1: Snap insert (Spare part-nr. 0538600M)
- 2: Ceramic headpart 1/2" (Spare part-nr. 45346000)
- 2.1: O-ring Ø 18.2 x Ø 1.7 (Spare part-nr. 0392400M)
- 3: Mousseur (Spare part-nr. 13929000)
- 4: Escutcheon (Spare part-nr. 48004000)
- 5: Shank mounting kit (Spare part-nr. 46249000)
- 6: Lift rod (Spare part-nr. 65936PD0)
- 7: Waste set 1 1/4" (Spare part-nr. 28910000)
- 7.1: Plug (Spare part-nr. 07182000)
- 7.2: Eccentric rod (Spare part-nr. 07052000)
- 8: Connection hose (Spare part-nr. 46255000)
- 9: Screw for Costa/Avina products (Spare part-nr. 48013000)\*
- 10: Eccentric rod (Spare part-nr. 07341000)\*
- 11: Mounting wrench (Spare part-nr. 19017000)\*

\* Optional accessories