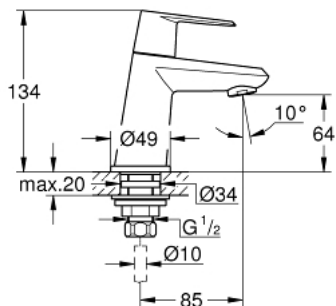


## 23 051 002 EURODISC COSMOPOLITAN PILLAR TAP XS-SIZE

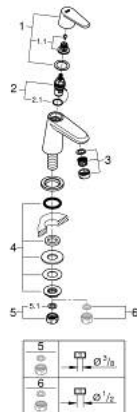


### PRODUCT DESCRIPTION

- Colour: chrome
- single hole installation
- metal lever
- ceramic headpart
- GROHE LongLife finish
- GROHE EcoJoy - less water, perfect flow
- maximum flow rate (at 3 bar): 5 l/min
- SpeedClean Mousseur
- union nut 1/2" x 10,5 mm
- minimum pressure 1,0 bar
- noise classification 1 in accordance with DIN4109



## 23 051 002 EURODISC COSMOPOLITAN PILLAR TAP XS-SIZE



### SPARE PARTS, March 2016 – now

- 1: Handle (Spare part-nr. 48060000)
- 1.1: Replacement handle connection kit (Spare part-nr. 45186000)
  - 1.1.1: O-ring  $\varnothing 18.2 \times \varnothing 1.7$  (Spare part-nr. 0392400M)
- 2: Ceramic headpart, 1/2" (Spare part-nr. 45882000)
  - 2.1: O-ring  $\varnothing 18.2 \times \varnothing 1.7$  (Spare part-nr. 0392400M)
- 3: Mousseur (Spare part-nr. 48159000)
- 4: Shank fastening assembly (Spare part-nr. 45000000)
- 5: Coupling nut 1/2" x 10.5 mm (Spare part-nr. 1290100M)
  - 5.1: Fibre seal dia. 12x2 mm (Spare part-nr. 0138900M)
- 6: Coupling nut 1/2" x 14.5 mm (Spare part-nr. 1290200M)\*

\* Optional accessories