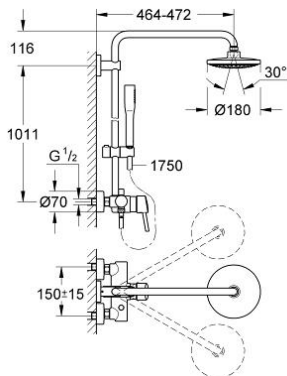


23 061 001 EUPHORIA CONCERTO SYSTEM 180 SHOWER SYSTEM WITH SINGLE LEVER MIXER FOR WALL MOUNTING

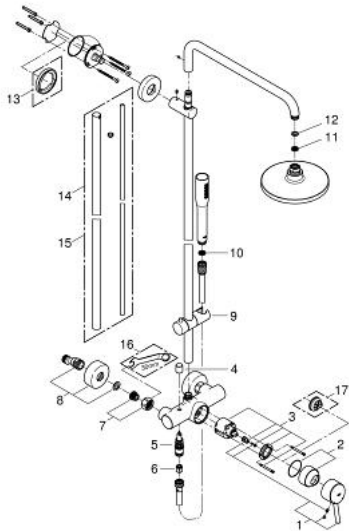


PRODUCT DESCRIPTION

- Colour: chrome
- consists of:
 - Horizontal swivable 450 mm shower arm
 - Exposed single-lever shower mixer with diverter
- allows change between:
 - head shower Euphoria Cosmopolitan(27 429 000)
 - spray pattern: Rain
- with ball joint
- angle of rotation $\pm 15^\circ$
- Euphoria Cosmopolitan hand shower (27 400)
- adjustable in height with gliding element (12 140 000)
- 9.5 l/min flow limiter
- GROHE SilkMove 46 mm ceramic cartridge
- GROHE DreamSpray - perfect spray pattern
- GROHE LongLife finish
- GROHE SpeedClean - effortless limescale removal
- Inner WaterGuide - inner insulation for surface protection
- TwistStop - to prevent hose from twisting
- suitable for instantaneous heaters (min. 19 kW/h)
- minimum flow rate 7 l/min.
- minimum pressure 1,0 bar



23 061 001 EUPHORIA CONCETTO SYSTEM 180 SHOWER SYSTEM WITH SINGLE LEVER MIXER FOR WALL MOUNTING



SPARE PARTS, March 2010 – now

- 1: Lever (Spare part-nr. 46723000)
- 2: Shield (Spare part-nr. 46025000)
- 3: Cartridge (Spare part-nr. 46048000)
- 4: Diverter knob (Spare part-nr. 64309000)
- 5: Diverter (Spare part-nr. 65655000)
- 6: Non-return valve (Spare part-nr. 08565000)
- 7: Screw joint (Spare part-nr. 45044000)
- 8: S-union (Spare part-nr. 12662000)
- 9: Sliding piece (Spare part-nr. 12140000)
- 10: Dirt strainer (Spare part-nr. 0700200M)
- 11: Dirt strainer (Spare part-nr. 48007000)
- 12: Fibre seal dia. 12x2 mm (Spare part-nr. 0138900M)
- 13: Compensation disc (Spare part-nr. 27180000)*
- 14: Shower system pipe for retrofitting (Spare part-nr. 48053000)*
- 15: Shower system pipe for retrofitting (Spare part-nr. 48054000)*
- 16: Special spanner (Spare part-nr. 19377000)*
- 17: Temperature limiter (Spare part-nr. 46375000)*

* Optional accessories