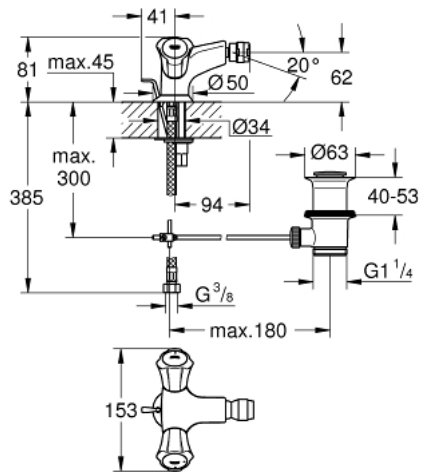


24 480 001 COSTA L SINGLE-HOLE BIDET MIXER

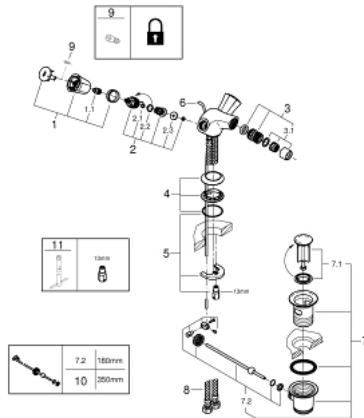


PRODUCT DESCRIPTION

- Colour: chrome
- metal handles
- heat-insulated
- screwable
- GROHE Long-Life headpart
- cast spout with ball joint mousseur
- pop-up waste set 1 1/4"
- flexible connection hoses
- GROHE LongLife finish



24 480 001 COSTA L SINGLE-HOLE BIDET MIXER



SPARE PARTS, August 2016 – now

- 1: Handle (Spare part-nr. 45994000)
 - 1.1: Repl. kit f.handle fastening (Spare part-nr. 0538600M)
 - 2: Headpart 1/2" (Spare part-nr. 07146000)
 - 2.1: O-ring $\varnothing 6 \times \varnothing 2$ (Spare part-nr. 0128300M)
 - 2.2: O-ring $\varnothing 18.2 \times \varnothing 1.7$ (Spare part-nr. 0392400M)
 - 2.3: Ball seal dia. 9x6.8 mm (Spare part-nr. 0529100M)
 - 3: Ball-joint aerator (Spare part-nr. 13915000)
 - 3.1: Mousseur (Spare part-nr. 13928000)
 - 4: Escutcheon (Spare part-nr. 48004000)
 - 5: Shank mounting kit (Spare part-nr. 46249000)
 - 6: Lift rod (Spare part-nr. 65936PD0)
 - 7: Pop-up waste set 1 1/4" (Spare part-nr. 28910000)
 - 7.1: Plug (Spare part-nr. 07182000)
 - 7.2: Eccentric rod (Spare part-nr. 07052000)
 - 8: Connection hose (Spare part-nr. 46255000)
 - 9: Screw for Costa/Avina products (Spare part-nr. 48013000)*
 - 10: Eccentric rod (Spare part-nr. 07341000)*
 - 11: Mounting wrench (Spare part-nr. 19017000)*
- * Optional accessories