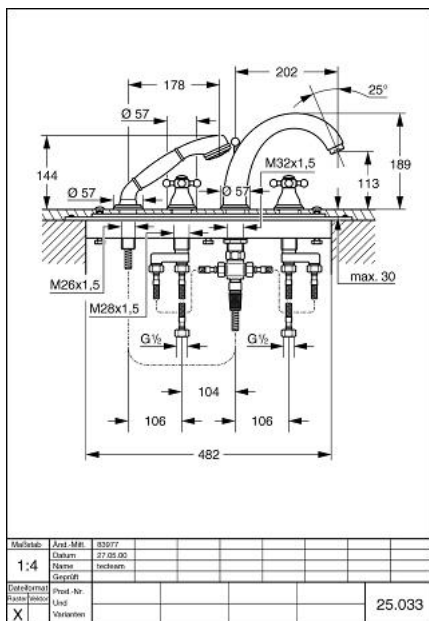


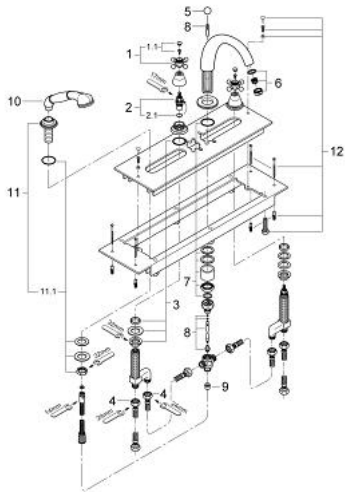
25 033 000 SINFONIA 4-HOLE BATH/SHOWER COMBINATION



PRODUCT DESCRIPTION

- Colour: chrome
- ceramic headparts 1/2", 180°
- high bath spout
- bath inlet with manual diverter bath/shower
- projection 202 mm
- mousseur
- installation plate and base frame
- hose guide with handshower set
- pressure-proof, flexible connection hoses
- with cross handles
- Protected against backflow
- GROHE LongLife finish

25 033 000 SINFONIA 4-HOLE BATH/SHOWER COMBINATION



SPARE PARTS, September 2007 – now

- 1: Sinfonia cross handles (Spare part-nr. 45291000)
- 1.1: Marking piece (Spare part-nr. 45305000)
- 2: Ceramic headpart, 1/2" (Spare part-nr. 45346000)
- 2.1: O-ring $\varnothing 18.2 \times \varnothing 1.7$ (Spare part-nr. 0392400M)
- 3: Shank fastening assembly (Spare part-nr. 45025000)
- 4: Tube (Spare part-nr. 07227000)
- 5: Pop-up rod head (Spare part-nr. 04667000)
- 6: Mousseur (Spare part-nr. 13927000)
- 7: Shank mounting kit (Spare part-nr. 46078000)
- 8: Diverter (Spare part-nr. 45548000)
- 9: Non-return valve (Spare part-nr. 08565000)
- 10: Handshower (Spare part-nr. 07633000)
- 11: Spray holder (Spare part-nr. 07629000)
- 11.1: Shank mounting kit (Spare part-nr. 07660000)
- 12: Fixing set (Spare part-nr. 07007000)