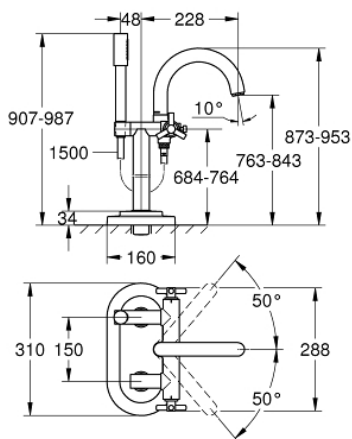


25 044 000 ATRIO BATH MIXER 1/2"

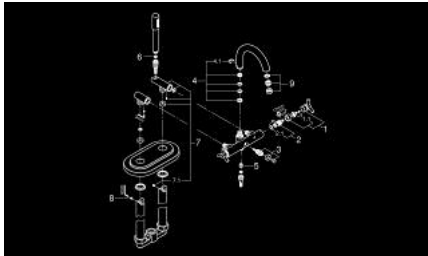


PRODUCT DESCRIPTION

- Colour: chrome
- floor-mounted installation with high pillar unions (765 mm)
- ceramic headparts 1/2", 90°
- GROHE LongLife finish
- automatic diverter: bath/shower
- swivel tubular spout with mousseur and stop limiter
- projection 228 mm
- integrated non-return valve in the shower outlet 1/2"
- Sena hand shower
- with shower holder
- shower hose 1500 mm
- protected against backflow
- to be used with
- 45 473
- without rough-in set (sold separately)
- with Ypsilon handle



25 044 000 **ATRIO BATH MIXER 1/2"**



SPARE PARTS, 10月 2018 – now

- 1: Handle Atrio Ypsilon (Spare part-nr. 45603000)
- 1.1: Replacement handle connection kit (Spare part-nr. 45605000)
- 2: Ceramic headpart 1/2" (Spare part-nr. 45882000)
- 2.1: O-ring Ø 18.2 x Ø 1.7 (Spare part-nr. 0392400M)
- 3: Diverter (Spare part-nr. 45592000)
- 4: Spout connection set (Spare part-nr. 45474000)
- 4.1: Safety disc (Spare part-nr. 0585000M)
- 5: Non-return valve (Spare part-nr. 08565000)
- 6: Dirt strainer (Spare part-nr. 0700200M)
- 7: Shower holder (Spare part-nr. 45861000)
- 7.1: Thread pin (Spare part-nr. 0311700M)
- 8: Thread pin (Spare part-nr. 0311700M)
- 9: Mousseur (Spare part-nr. 13939000)