

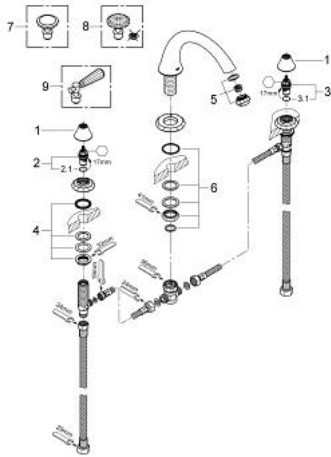
25 074 000 KENSINGTON 3-HOLE BATH COMBINATION



PRODUCT DESCRIPTION

- Colour: chrome
- without handles
- consists of:
 - diverter bath spout with mousseur
 - side valves
 - ceramic headparts 1/2", 90°
 - pressure-proof, flexible connection hoses between spout and side valves
 - GROHE LongLife finish
- round handles 18 086 000 & 18 086 EN0 (sold separately)
- Swarovski crystal handles 18 086 VP0 (sold separately)
- lever handles 18 087 000 & 18 087 EN0 (sold separately)

25 074 000 KENSINGTON 3-HOLE BATH COMBINATION



SPARE PARTS, August 2012 – now

- 1: Shield (Spare part-nr. 45907000)
- 2: Ceramic headpart, 1/2" (Spare part-nr. 45882000)
- 2.1: O-ring $\varnothing 18.2 \times \varnothing 1.7$ (Spare part-nr. 0392400M)
- 3: Ceramic headpart, 1/2" (Spare part-nr. 45883000)
- 3.1: O-ring $\varnothing 18.2 \times \varnothing 1.7$ (Spare part-nr. 0392400M)
- 4: Shank fastening assembly (Spare part-nr. 45025000)
- 5: Sistra (Spare part-nr. 13991000)
- 6: Shank mounting kit (Spare part-nr. 46078000)
- 7: Crystal handle (Spare part-nr. 18086000)*
- 8: Crystal handle (Spare part-nr. 18086VP0)*
- 9: Lever Handle (Spare part-nr. 18087000)*

* Optional accessories