

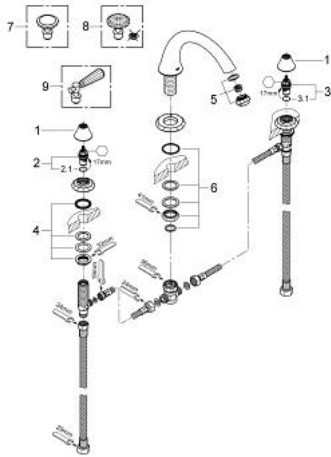
## 25 074 EN0 KENSINGTON 3-HOLE BATH COMBINATION



### PRODUCT DESCRIPTION

- Colour: brushed nickel
- without handles
- consists of:
  - diverter bath spout with mousseur
  - side valves
  - ceramic headparts 1/2", 90°
- GROHE LongLife finish
- pressure-proof, flexible connection hoses between spout and side valves
- round handles 18 086 000 & 18 086 EN0 (sold separately)
- Swarovski crystal handles 18 086 VP0 (sold separately)
- lever handles 18 087 000 & 18 087 EN0 (sold separately)

## 25 074 EN0 KENSINGTON 3-HOLE BATH COMBINATION



### SPARE PARTS, August 2012 – now

- 1: Shield (Spare part-nr. 45907EN0)
- 2: Ceramic headpart, 1/2" (Spare part-nr. 45882000)
- 2.1: O-ring  $\varnothing 18.2 \times \varnothing 1.7$  (Spare part-nr. 0392400M)
- 3: Ceramic headpart, 1/2" (Spare part-nr. 45883000)
- 3.1: O-ring  $\varnothing 18.2 \times \varnothing 1.7$  (Spare part-nr. 0392400M)
- 4: Shank fastening assembly (Spare part-nr. 45025000)
- 5: Sistra (Spare part-nr. 13991EN0)
- 6: Shank mounting kit (Spare part-nr. 46078000)
- 7: Crystal handle (Spare part-nr. 18086EN0)\*
- 8: Crystal handle (Spare part-nr. 18086VP0)\*
- 9: Lever Handle (Spare part-nr. 18087EN0)\*

\* Optional accessories