

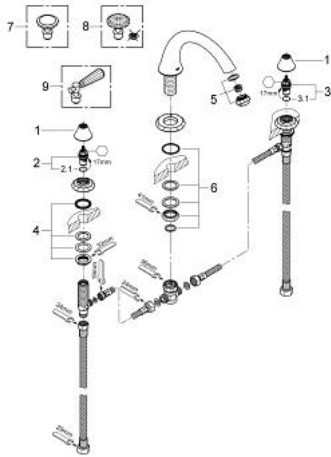
25 074 EN0 KENSINGTON THREE-HOLE BATH COMBINATION 1/2"



PRODUCT DESCRIPTION

- Colour: brushed nickel
- without handles
- consisting of:
 - diverter bath spout with mousseur
 - side valves
 - ceramic headparts 1/2", 90°
 - GROHE LongLife finish
 - pressure-proof flexible connection hoses between spout and side valves
- round handles 18 086 000 & 18 086 EN0 (sold separately)
- Swarovski crystal handles 18 086 VP0 (sold separately)
- lever handles 18 087 000 & 18 087 EN0 (sold separately)

25 074 EN0 KENSINGTON THREE-HOLE BATH COMBINATION 1/2"



SPARE PARTS, 8月 2012 – now

- 1: Cap (Spare part-nr. 45907EN0)
- 2: Ceramic headpart 1/2" (Spare part-nr. 45882000)
- 2.1: O-ring Ø 18.2 x Ø 1.7 (Spare part-nr. 0392400M)
- 3: Ceramic headpart 1/2" (Spare part-nr. 45883000)
- 3.1: O-ring Ø 18.2 x Ø 1.7 (Spare part-nr. 0392400M)
- 4: Counter screws M28 x 1.5 (Spare part-nr. 45025000)
- 5: Sistra (Spare part-nr. 13991EN0)
- 6: Shank mounting kit (Spare part-nr. 46078000)
- 7: Round handle (Spare part-nr. 18086EN0)*
- 8: Round handle (Spare part-nr. 18086VP0)*
- 9: Lever handle (Spare part-nr. 18087EN0)*

* Optional accessories