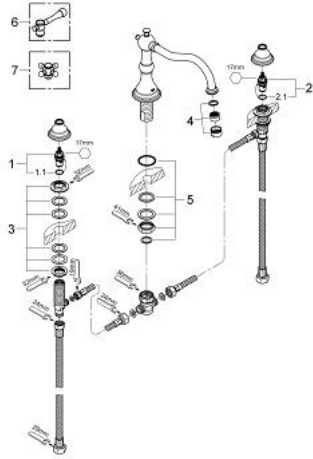


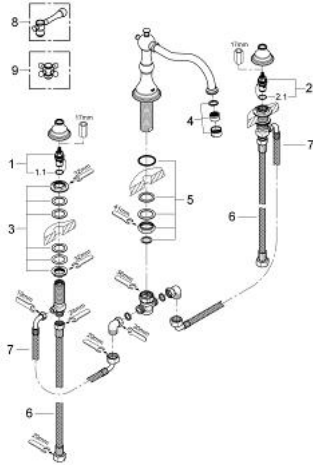
25 079 EN0 BRIDGEFORD 3-HOLE BATH/SHOWER COMBINATION



SPARE PARTS, August 2012 – now

- 1: Ceramic headpart, 1/2" (Spare part-nr. 45882000)
 - 1.1: O-ring $\varnothing 18.2 \times \varnothing 1.7$ (Spare part-nr. 0392400M)
 - 2: Ceramic headpart, 1/2" (Spare part-nr. 45883000)
 - 2.1: O-ring $\varnothing 18.2 \times \varnothing 1.7$ (Spare part-nr. 0392400M)
 - 3: Shank fastening assembly (Spare part-nr. 45025000)
 - 4: Sistra (Spare part-nr. 13907EN0)
 - 5: Shank mounting kit (Spare part-nr. 46078000)
 - 6: Lever Handle (Spare part-nr. 18173EN0)*
 - 7: Sinfonia cross handles (Spare part-nr. 18733EN0)*
- * Optional accessories

25 079 EN0 BRIDGEFORD 3-HOLE BATH/SHOWER COMBINATION

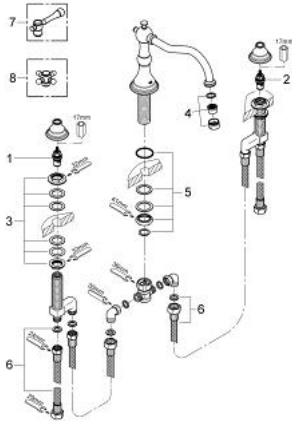


SPARE PARTS, May 2009 – August 2012

- 1: Ceramic headpart, 1/2" (Spare part-nr. 45882000)
- 1.1: O-ring $\varnothing 18.2 \times \varnothing 1.7$ (Spare part-nr. 0392400M)
- 2: Ceramic headpart, 1/2" (Spare part-nr. 45883000)
- 2.1: O-ring $\varnothing 18.2 \times \varnothing 1.7$ (Spare part-nr. 0392400M)
- 3: Shank fastening assembly (Spare part-nr. 45025000)
- 4: Sistra (Spare part-nr. 13907EN0)
- 5: Shank mounting kit (Spare part-nr. 46078000)
- 6: Flexible hose (Spare part-nr. 03052000)
- 7: Lever Handle (Spare part-nr. 18173EN0)*
- 8: Sinfonia cross handles (Spare part-nr. 18733EN0)*

* Optional accessories

25 079 EN0 BRIDGEFORD 3-HOLE BATH/SHOWER COMBINATION



SPARE PARTS, June 2005 – May 2009

- 1: Ceramic headpart, 1/2" (Spare part-nr. 45882000)
- 2: Ceramic headpart, 1/2" (Spare part-nr. 45883000)
- 3: Shank fastening assembly (Spare part-nr. 45025000)
- 4: Sistra (Spare part-nr. 13907EN0)
- 5: Shank mounting kit (Spare part-nr. 46078000)
- 6: Connection hose (Spare part-nr. 07772000)
- 7: Lever Handle (Spare part-nr. 18173EN0)*
- 8: Sinfonia cross handles (Spare part-nr. 18733EN0)*

* Optional accessories