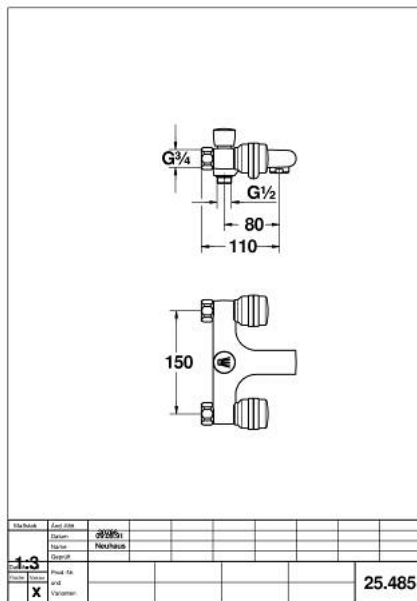


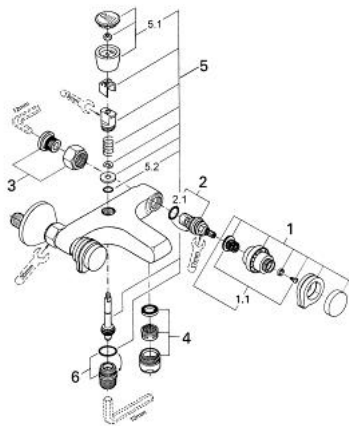
25 485 000 SUPRA BATH/SHOWER MIXER



PRODUCT DESCRIPTION

- Colour: chrome
- wall mounted
- ceramic headparts 1/2", 180°
- handles
- heat-insulated, screwed union
- cast spout
- lockable automatic diverter: bath/shower
- shower connection 1/2"
- mousseur
- without connection unions
- GROHE LongLife finish

25 485 000 SUPRA BATH/SHOWER MIXER



SPARE PARTS, May 2008 – now

- 1: Supra handle (Spare part-nr. 45354000)
- 1.1: Replacement handle connection kit (Spare part-nr. 45186000)
- 1.1.1: O-ring $\varnothing 18.2 \times \varnothing 1.7$ (Spare part-nr. 0392400M)
- 2: Ceramic headpart, 1/2" (Spare part-nr. 45346000)
- 2.1: O-ring $\varnothing 18.2 \times \varnothing 1.7$ (Spare part-nr. 0392400M)
- 3: Screw joint (Spare part-nr. 45044000)
- 4: Mousseur (Spare part-nr. 13927000)
- 5: Diverter (Spare part-nr. 46056000)
- 5.1: Diverter knob (Spare part-nr. 07526000)
- 5.2: O-ring $\varnothing 6 \times \varnothing 2$ (Spare part-nr. 0128300M)
- 5.2: O-ring $\varnothing 6 \times \varnothing 2$ (Spare part-nr. 0881100M)
- 6: Outlet nipple (Spare part-nr. 45104000)