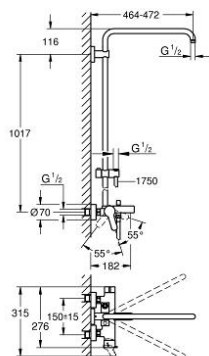


## 26 321 000 EUPHORIA SYSTEM SHOWER SYSTEM WITH SINGLE LEVER BATH MIXER FOR WALL MOUNTING

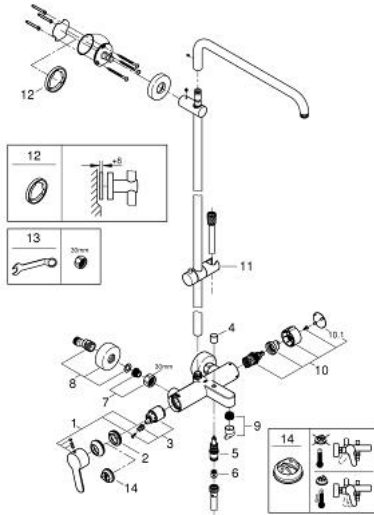


### PRODUCT DESCRIPTION

- Colour: chrome
- consists of:
  - Horizontal swivable 450 mm shower arm
  - exposed single-lever bath mixer with diverter handle
  - separate diverter for hand shower
  - gliding element
  - shower hose Silverflex 1750 mm 1/2" x 1/2" (28 388)
  - GROHE SilkMove 35 mm ceramic cartridge
  - GROHE LongLife finish
  - Inner WaterGuide - inner insulation for surface protection
  - TwistStop - to prevent hose from twisting
  - suitable for instantaneous heaters (min. 19 kW/h)
  - minimum flow rate 7 l/min.
  - minimum pressure 1,0 bar



## 26 321 000 EUPHORIA SYSTEM SHOWER SYSTEM WITH SINGLE LEVER BATH MIXER FOR WALL MOUNTING



### SPARE PARTS, October 2014 – now

- 1: Lever (Spare part-nr. 46750000)
- 2: Screw coupling (Spare part-nr. 46460000)
- 3: Cartridge (Spare part-nr. 46374000)
- 4: Diverter knob (Spare part-nr. 64309000)
- 5: Diverter (Spare part-nr. 65655000)
- 6: Non-return valve (Spare part-nr. 08565000)
- 7: Screw joint (Spare part-nr. 45044000)
- 8: S-union (Spare part-nr. 12662000)
- 9: Mousseur (Spare part-nr. 13926000)
- 10: Diverter (Spare part-nr. 46921000)
- 10.1: Cap (Spare part-nr. 4788300M)
- 11: Sliding piece (Spare part-nr. 12140000)
- 12: Compensation disc (Spare part-nr. 27180000)\*
- 13: Special spanner (Spare part-nr. 19377000)\*
- 14: Temperature limiter (Spare part-nr. 46375000)\*

\* Optional accessories