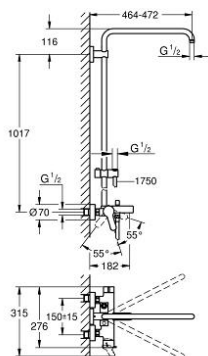


26 321 000 EUPHORIA SYSTEM SHOWER SYSTEM WITH SINGLE LEVER BATH MIXER FOR WALL MOUNTING

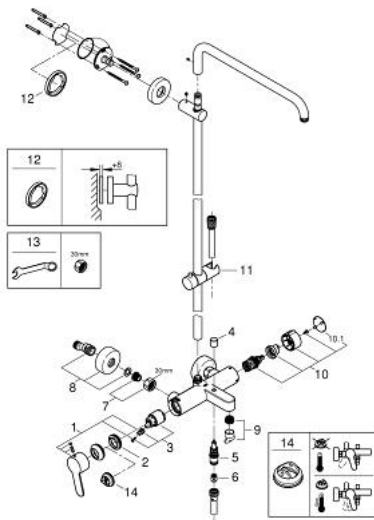


PRODUCT DESCRIPTION

- Colour: chrome
- consisting of:
 - horizontal swivable 450 mm shower arm
 - exposed single-lever bath mixer with diverter handle
 - separate diverter for hand shower
 - gliding element
 - shower hose Silverflex 1750 mm 1/2" x 1/2" (28 388)
 - GROHE SilkMove 35 mm ceramic cartridge
 - GROHE LongLife finish
 - Inner WaterGuide - inner insulation for surface protection
 - TwistStop - to prevent hose from twisting
- suitable for instantaneous heaters from 18 kW/h
- minimum flow rate 7 l/min
- min. recommended pressure 1.0 bar



26 321 000 EUPHORIA SYSTEM SHOWER SYSTEM WITH SINGLE LEVER BATH MIXER FOR WALL MOUNTING



SPARE PARTS, 10月 2014 – now

- 1: Lever (Spare part-nr. 46750000)
 - 2: Screw coupling (Spare part-nr. 46460000)
 - 3: Cartridge (Spare part-nr. 46374000)
 - 4: Diverter knob (Spare part-nr. 64309000)
 - 5: Diverter (Spare part-nr. 65655000)
 - 6: Non-return valve (Spare part-nr. 08565000)
 - 7: Screw connection 1/2" (Spare part-nr. 45044000)
 - 8: S-union (Spare part-nr. 12662000)
 - 9: Mousseur (Spare part-nr. 13926000)
 - 10: Diverter (Spare part-nr. 46921000)
 - 10.1: Cover cap (Spare part-nr. 4788300M)
 - 11: Glide element (Spare part-nr. 12140000)
 - 12: Compensation disc (Spare part-nr. 27180000)*
 - 13: Special spanner (Spare part-nr. 19377000)*
 - 14: Temperature limiter (Spare part-nr. 46375000)*
- * Optional accessories