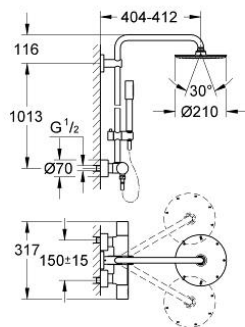


27 418 000 RAINSHOWER SYSTEM 210 SHOWER SYSTEM WITH THERMOSTAT FOR WALL MOUNTING

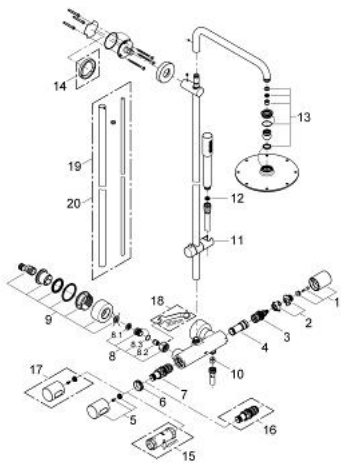


PRODUCT DESCRIPTION

- Colour: chrome
- consists of:
- exposed thermostat with Aquadimmer function
- allows change between:
- Rainshower Cosmopolitan 210 metal head shower (28 368 000)
- Horizontal 45° swivable 400mm shower arm
- with ball joint, rotation angle $\pm 20^\circ$
- hand shower Sena 28 034 000
- adjustable in height with gliding element (12 140 000)
- metal shower hose 1750 mm
- minimum flow rate 7 l/min.
- GROHE EcoJoy - less water, perfect flow
- GROHE LongLife finish
- GROHE CoolTouch
- suitable for instantaneous heaters (min. 19 kW/h)



27 418 000 RAINSHOWER SYSTEM 210 SHOWER SYSTEM WITH THERMOSTAT FOR WALL MOUNTING



SPARE PARTS, May 2013 – now

- 1: Aquadimmer handle (Spare part-nr. 47804000)
- 2: Temperature limiter (Spare part-nr. 47723000)
- 3: Aquadimmer (Spare part-nr. 47364000)
- 4: Water flow (Spare part-nr. 47887000)
- 5: Handle (Spare part-nr. 47803000)
- 6: Fitting ring (Spare part-nr. 47743000)
- 7: Thermostatic compact cartridge 1/2" (Spare part-nr. 47439000)
- 8: Non-return valve (Spare part-nr. 47189000)
- 8.1: Dirt Strainer (Spare part-nr. 0726400M)
- 8.2: Non-return valve (Spare part-nr. 08565000)
- 8.3: O-ring $\varnothing 17 \times \varnothing 2$ (Spare part-nr. 0305500M)
- 9: S-union (Spare part-nr. 12693000)
- 10: Non-return valve (Spare part-nr. 08565000)
- 11: Sliding piece (Spare part-nr. 12140000)
- 12: Dirt strainer (Spare part-nr. 0700200M)
- 13: Inlet valve assembly (Spare part-nr. 45933000)
- 14: Compensation disc (Spare part-nr. 27180000)*
- 15: Socket spanner (Spare part-nr. 19332000)*
- 16: GROHE TurboStat cartridge 1/2" (Spare part-nr. 47175000)*
- 17: Scale handle (Spare part-nr. 47811000)*
- 18: Special spanner (Spare part-nr. 19377000)*
- 19: Shower system pipe for retrofitting (Spare part-nr. 48053000)*
- 20: Shower system pipe for retrofitting (Spare part-nr. 48054000)*

* Optional accessories