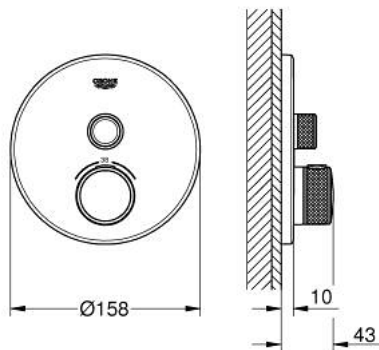


## 29 118 000 GROHTHERM SMARTCONTROL THERMOSTAT FOR CONCEALED INSTALLATION WITH ONE VALVE



### PRODUCT DESCRIPTION

- Colour: chrome
- trim set for GROHE Rapido SmartBox (35 600/35 604)
- metal wall escutcheon with GROHE FastFixation (covered escutcheon and shaft sealing, covered fixing), retroactively 6° adjustable
- GROHE LongLife finish
- GROHE SmartControl - control the shower with intuitive push/turn button
- exchangeable symbols
- GROHE TurboStat - compact cartridge with wax thermostatic element
- GROHE ProGrip - with knurl structure
- GROHE SafeStop - safety button at 38°C
- GROHE SafeStop Plus - optional temperature limiter at 43°C or 46°C included
- built-in non-return valves and dirt strainers
- without roughing-in set 35 600/35 604 (please order separately)
- flow performance: outlet A (to external shut-off) = 34 l/min, outlet B/C = 29 l/min

## 29 118 000 GROHTHERM SMARTCONTROL THERMOSTAT FOR CONCEALED INSTALLATION WITH ONE VALVE



### SPARE PARTS, January 2020 – now

- 1: Mounting plate (Spare part-nr. 48362000)
- 2: Temperature control handle (Spare part-nr. 49029000)
  - 2.1: Cap (Spare part-nr. 1015030000)
  - 2.2: handle adaptor (Spare part-nr. 1015059990)
- 3: Escutcheon (Spare part-nr. 49030000)
- 4: Push button (Spare part-nr. 48361000)
  - 4.1: pushbutton (Spare part-nr. 14077000)
- 5: Cartridge (Spare part-nr. 48359000)
  - 5.1: Spindle (Spare part-nr. 49088000)
- 6: Thermostatic compact cartridge 3/4" (Spare part-nr. 49028000)
- 7: Non-return valve (Spare part-nr. 49085000)
- 8: Ball seal dia. 9x6.8 mm (Spare part-nr. 48360000)
- 9: Socket spanner (Spare part-nr. 49059000)\*
- 10: GROHE TurboStat cartridge 3/4" (Spare part-nr. 49003000)\*
- 11: Service stops (Spare part-nr. 1405300M)\*
- 12: Universal extension set single-lever mixers, 25 mm (Spare part-nr. 14048000)\*

\* Optional accessories