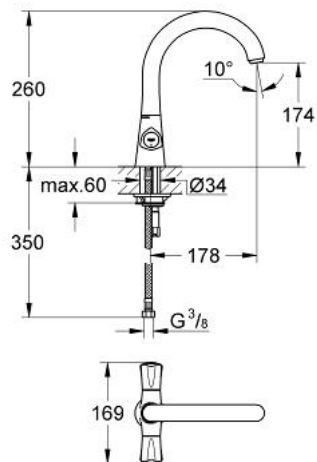


31 064 000 AVINA TWO-HANDLE SINK MIXER

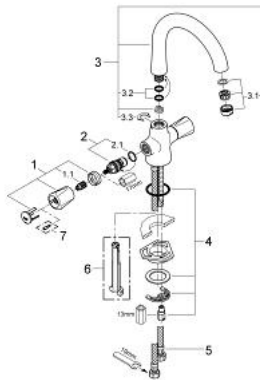


PRODUCT DESCRIPTION

- Colour: chrome
- metal handles
- heat-insulated
- screwable
- Carbodur headpart
- swivelling tubular spout
- mousseur
- flexible connection hoses
- GROHE LongLife finish



31 064 000 AVINA TWO-HANDLE SINK MIXER



SPARE PARTS, June 2007 – now

1: handle Atlanta (Spare part-nr. 45993000)

1.1: Repl. kit f.handle fastening (Spare part-nr. 0538600M)

2: Ceramic headpart, 1/2" (Spare part-nr. 45346000)

2.1: O-ring $\varnothing 18.2 \times \varnothing 1.7$ (Spare part-nr. 0392400M)

3: Spout (Spare part-nr. 13222000)

3.1: Mousseur (Spare part-nr. 13929000)

3.2: Sealing washer (Spare part-nr. 0128500M)

3.3: Safety ring (Spare part-nr. 0806500M)

3.3: Safety washer (Spare part-nr. 6411000M)

4: Shank mounting kit (Spare part-nr. 46249000)

5: Flexible connection hose, 470 (Spare part-nr. 45484000)

6: Disassembling key

(for Relexa Plus, Relexa Cosmopolitan face plate) (Spare part-nr. 19132000)*

7: Screw for Costa/Avina products (Spare part-nr. 48013000)*

* Optional accessories