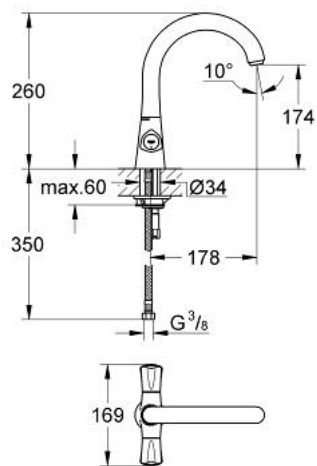


31 064 000 AVINA SINGLE-HOLE SINK MIXER 1/2"

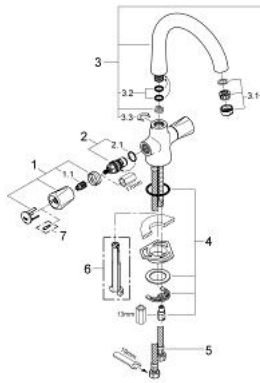


PRODUCT DESCRIPTION

- Colour: chrome
- metal handles
- heat insulated
- screwable
- Carbodur headpart
- swivel tubular spout
- mousseur
- flexible connection hoses
- GROHE LongLife finish



31 064 000 AVINA SINGLE-HOLE SINK MIXER 1/2"



SPARE PARTS, 6月 2007 – now

- 1: Handle Atlanta (Spare part-nr. 45993000)
- 1.1: Snap insert (Spare part-nr. 0538600M)
- 2: Ceramic headpart 1/2" (Spare part-nr. 45346000)
- 2.1: O-ring Ø 18.2 x Ø 1.7 (Spare part-nr. 0392400M)
- 3: Spout (Spare part-nr. 13222000)
- 3.1: Mousseur (Spare part-nr. 13929000)
- 3.2: Sealing washer (Spare part-nr. 0128500M)
- 3.3: Safety ring (Spare part-nr. 0806500M)
- 3.3: Safety disc (Spare part-nr. 6411000M)
- 4: Shank mounting kit (Spare part-nr. 46249000)
- 5: Flexible connection hose, 470 (Spare part-nr. 45484000)
- 6: Disassembling key (Spare part-nr. 19132000)*
- 7: Screw for Costa/Avina products (Spare part-nr. 48013000)*

* Optional accessories