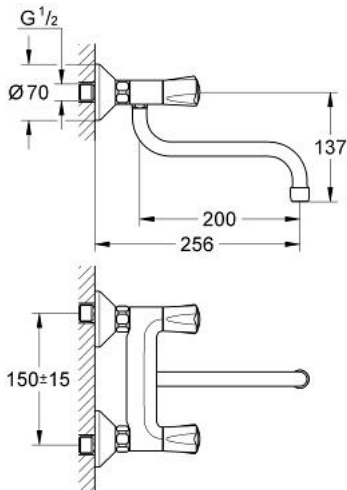


## 31 066 000 AVINA TWO HANDLE SINK MIXER

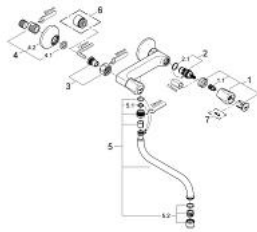


### PRODUCT DESCRIPTION

- Colour: chrome
- wall mounted
- metal handles
- heat-insulated
- screwable
- ceramic headpart 1/2", 180°
- projection 203 mm
- swivelling spout
- S-unions
- mousseur
- GROHE LongLife finish



## 31 066 000 AVINA TWO HANDLE SINK MIXER



### SPARE PARTS, June 2007 – now

- 1: handle Atlanta (Spare part-nr. 45993000)
- 1.1: Repl. kit f.handle fastening (Spare part-nr. 0538600M)
- 2: Ceramic headpart, 1/2" (Spare part-nr. 45346000)
- 2.1: O-ring  $\varnothing 18.2 \times \varnothing 1.7$  (Spare part-nr. 0392400M)
- 3: Screw joint (Spare part-nr. 45544000)
- 4: S-union (Spare part-nr. 12075000)
- 4.1: Ball seal dia. 9x6.8 mm (Spare part-nr. 0138600M)
- 4.2: Escutcheon (Spare part-nr. 0221000M)
- 5: Swivel tube spout (Spare part-nr. 13051000)
- 5.1: O-ring dia. 12x2 mm (Spare part-nr. 0128000M)
- 5.2: Mousseur (Spare part-nr. 13928000)
- 6: Extension 3/4", 20 mm (Spare part-nr. 0713000M)\*
- 7: Screw for Costa/Avina products (Spare part-nr. 48013000)\*

\* Optional accessories