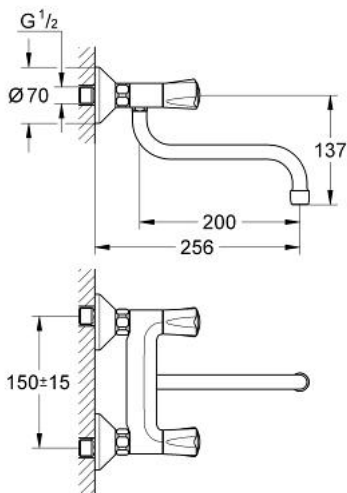


31 066 000 AVINA TWO HANDLE SINK MIXER

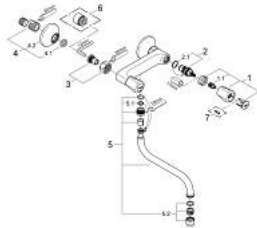


PRODUCT DESCRIPTION

- Colour: chrome
- wall mounted
- metal handles
- heat insulated
- screwable
- Carbodur ceramic headpart 1/2", 180°
- projection 200 mm
- swivel spout
- S-unions
- mousseur
- GROHE LongLife finish



31 066 000 AVINA TWO HANDLE SINK MIXER



SPARE PARTS, 6月 2007 – now

- 1: Handle Atlanta (Spare part-nr. 45993000)
- 1.1: Snap insert (Spare part-nr. 0538600M)
- 2: Ceramic headpart 1/2" (Spare part-nr. 45346000)
- 2.1: O-ring $\varnothing 18.2 \times \varnothing 1.7$ (Spare part-nr. 0392400M)
- 3: Screw connection (Spare part-nr. 45544000)
- 4: S-union (Spare part-nr. 12075000)
- 4.1: Seal (Spare part-nr. 0138600M)
- 4.2: Escutcheon (Spare part-nr. 0221000M)
- 5: Tubular spout (Spare part-nr. 13051000)
- 5.1: O-ring $\varnothing 12 \times \varnothing 2$ (Spare part-nr. 0128000M)
- 5.2: Mousseur (Spare part-nr. 13928000)
- 6: Extension 3/4", 20 mm (Spare part-nr. 0713000M)*
- 7: Screw for Costa/Avina products (Spare part-nr. 48013000)*

* Optional accessories