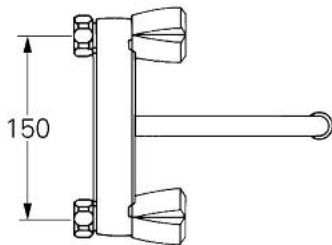
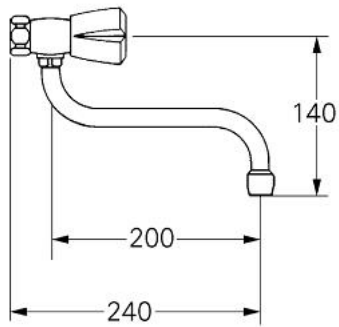


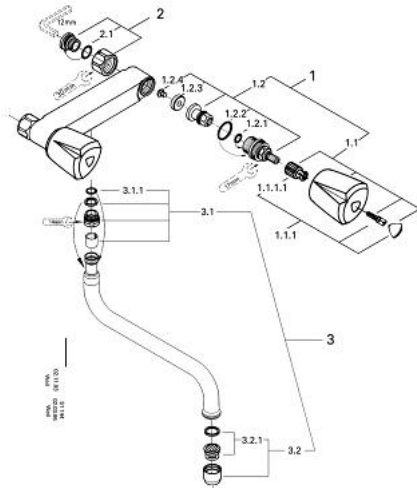
31 182 000 **WALL SINK MIXER 1/2"**



**PRODUCT DESCRIPTION**

- Colour: chrome
- Trecorn handle
- chrome plated plastic
- heat-insulated, screwed union
- swivel spout
- without connection unions
- mousseur
- GROHE LongLife finish

## 31 182 000 WALL SINK MIXER 1/2"



31.182

### SPARE PARTS, 1月 1985 – now

- 1: Headpart 1/2" (Spare part-nr. 45534000)
- 1.1: ABS handle 1/2" (Spare part-nr. 45970000)
- 1.1.1: Snap insert (Spare part-nr. 0538600M)
- 1.2: Headpart 1/2" (Spare part-nr. 07146000)
- 1.2.1: Sealing washer  $\varnothing 6 \times \varnothing 2$  (Spare part-nr. 0128300M)
- 1.2.2: O-ring  $\varnothing 18.2 \times \varnothing 1.7$  (Spare part-nr. 0392400M)
- 1.2.3: Seal (Spare part-nr. 0529100M)
- 2: Screw connection 1/2" (Spare part-nr. 45044000)
- 2.1: Seal  $\varnothing 15 \times \varnothing 2$  (Spare part-nr. 0311900M)
- 3: Tubular spout (Spare part-nr. 13051000)
- 3.1: O-ring  $\varnothing 12 \times \varnothing 2$  (Spare part-nr. 0128000M)
- 3.2: Mousseur (Spare part-nr. 13928000)