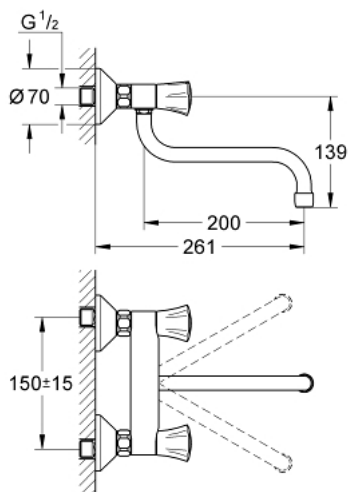


31 187 001 **COSTA L WALL SINK MIXER 1/2"**

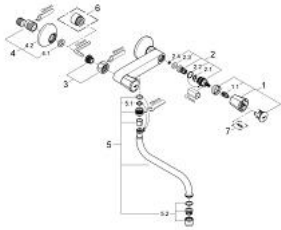


PRODUCT DESCRIPTION

- Colour: chrome
- metal handles
- heat-insulated
- GROHE LongLife finish
- GROHE Long-Life headparts
- mousseur
- swivel tubular spout, swivel area 360°
- projection 203 mm
- S-unions
- maximum flow rate (at 3 bar): 13 l/min



31 187 001 COSTA L WALL SINK MIXER 1/2"



SPARE PARTS, June 2007 – now

- 1: Handle (Spare part-nr. 45994000)
 - 1.1: Repl. kit f.handle fastening (Spare part-nr. 0538600M)
 - 2: Headpart 1/2" (Spare part-nr. 07146000)
 - 2.1: O-ring $\varnothing 6 \times \varnothing 2$ (Spare part-nr. 0128300M)
 - 2.2: O-ring $\varnothing 18.2 \times \varnothing 1.7$ (Spare part-nr. 0392400M)
 - 2.3: Ball seal dia. 9x6.8 mm (Spare part-nr. 0529100M)
 - 3: Screw joint (Spare part-nr. 45044000)
 - 4: S-union (Spare part-nr. 12075000)
 - 4.1: Ball seal dia. 9x6.8 mm (Spare part-nr. 0138600M)
 - 4.2: Escutcheon (Spare part-nr. 0221000M)
 - 5: Swivel tube spout (Spare part-nr. 13051000)
 - 5.1: O-ring dia. 12x2 mm (Spare part-nr. 0128000M)
 - 5.2: Mousseur (Spare part-nr. 13928000)
 - 6: Extension 3/4", 20 mm (Spare part-nr. 0713000M)*
 - 7: Screw for Costa/Avina products (Spare part-nr. 48013000)*
- * Optional accessories