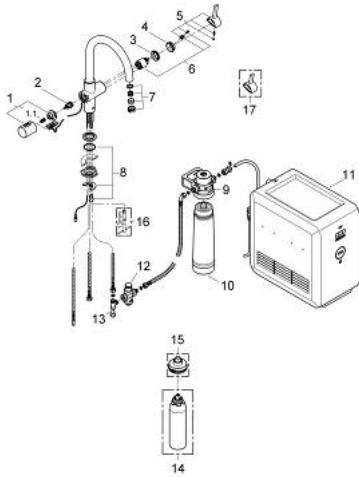




## 31 387 000 GROHE BLUE ULTRASAFE CHILLED STARTER KIT



### SPARE PARTS, May 2013 – now

- 1: Handle (Spare part-nr. 46652000)
- 1.1: Repl. kit f.handle fastening (Spare part-nr. 0538600M)
- 2: Headpart (Spare part-nr. 46713000)
- 3: Screw coupling (Spare part-nr. 46460000)
- 4: Shield (Spare part-nr. 46116000)
- 5: Lever (Spare part-nr. 46653000)
- 6: Cartridge (Spare part-nr. 46374000)
- 7: Mousseur (Spare part-nr. 64374000)
- 8: Shank mounting kit (Spare part-nr. 46249000)
- 9: filter head (Spare part-nr. 40576000)
- 10: Filter (Spare part-nr. 40575000)
- 11: Chiller (Spare part-nr. 40693000)
- 12: Pressure reducing valve (Spare part-nr. 40452000)
- 13: Original WAS<sup>@</sup> T-piece 3/8" (Spare part-nr. 41007000)
- 14: Cleaning cartridge (Spare part-nr. 40434001)\*
- 15: Cleaning cartridge adapter (Spare part-nr. 40694000)\*
- 16: Mounting wrench (Spare part-nr. 19017000)\*
- 17: Shorter mixed water lever (Spare part-nr. 40621000)\*

\* Optional accessories