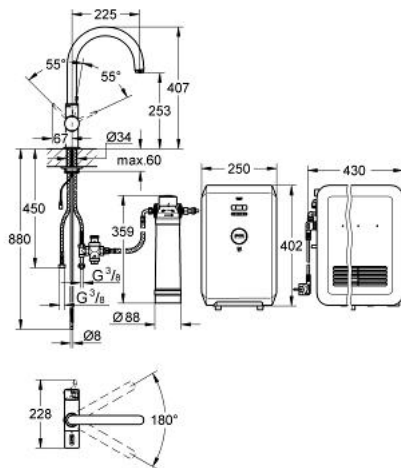


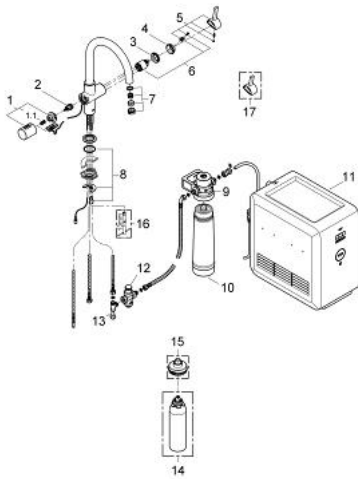
## 31 387 000 GROHE BLUE ULTRASAFE CHILLED STARTER KIT



### PRODUCT DESCRIPTION

- Colour: chrome
- consisting of:
  - GROHE Blue single-lever sink mixer with filter function
  - single hole installation
  - separate handle for 3 types of filtered and chilled table water
  - unchilled, medium chilled, full chilled
  - headpart 1/2"
  - GROHE SilkMove 35 mm ceramic cartridge
  - adjustable flow rate limiter
  - GROHE LongLife finish
  - swivel cast spout
  - swivel area 140°
  - separate inner water ways for filtered and non-filtered water
  - flexible connection hoses
  - GROHE Blue Pure Cube
  - 180 Watt cooling unit, 230 V, 50 Hz
  - type of protection IP 21
  - 6 V DC to filter change display unit
  - adjustable for 600 litre, 1500 litre or 3000 litre filter cartridges
  - CE approved
  - GROHE Blue UltraSafe 600 l filter for bad quality tap water
  - filter can not be used for well water
  - GROHE Blue UltraSafe filter head
  - min. recommended pressure 2.0 bar

## 31 387 000 GROHE BLUE ULTRASAFE CHILLED STARTER KIT



### SPARE PARTS, 5月 2013 – now

- 1: Handle (Spare part-nr. 46652000)
- 1.1: Snap insert (Spare part-nr. 0538600M)
- 2: Headpart (Spare part-nr. 46713000)
- 3: Screw coupling (Spare part-nr. 46460000)
- 4: Cap (Spare part-nr. 46116000)
- 5: Lever (Spare part-nr. 46653000)
- 6: Cartridge (Spare part-nr. 46374000)
- 7: Mousseur (Spare part-nr. 64374000)
- 8: Shank mounting kit (Spare part-nr. 46249000)
- 9: Filter head (Spare part-nr. 40576000)
- 10: Filter (Spare part-nr. 40575000)
- 11: Chiller (Spare part-nr. 40693000)
- 12: Pressure reducing valve (Spare part-nr. 40452000)
- 13: Original WAS® T-piece 3/8" (Spare part-nr. 41007000)
- 14: Cleaning cartridge (Spare part-nr. 40434001)\*
- 15: Cleaning cartridge adapter (Spare part-nr. 40694000)\*
- 16: Mounting wrench (Spare part-nr. 19017000)\*
- 17: Shorter mixed water lever (Spare part-nr. 40621000)\*

\* Optional accessories