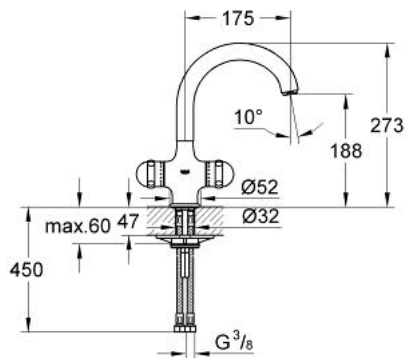


31 403 000 SENTOSA SINGLE-HOLE SINK MIXER 1/2"

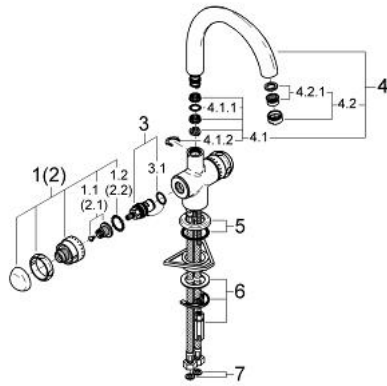


PRODUCT DESCRIPTION

- Colour: chrome
- Carbodur ceramic headparts 1/2", 180°
- GROHE LongLife finish
- swivel tubular spout
- mousseur
- stop limiter
- flexible connection hoses
- rapid installation system



31 403 000 SENTOSA SINGLE-HOLE SINK MIXER 1/2"



SPARE PARTS, 1月 1993 – now

- 1: Handle 1/2", red (Sentosa) (Spare part-nr. 45539IP0)
- 1.1: Replacement handle connection kit (Spare part-nr. 45186000)
- 1.1.1: O-ring $\varnothing 18.2 \times \varnothing 1.7$ (Spare part-nr. 0392400M)
- 1.2: Guide ring (Spare part-nr. 0202100M)
- 2: Handle 1/2" (Sentosa) (Spare part-nr. 45538IP0)
- 2.1: Replacement handle connection kit (Spare part-nr. 45186000)
- 2.2: Guide ring (Spare part-nr. 0202100M)
- 3: Ceramic headpart 1/2" (Spare part-nr. 45346000)
- 3.1: O-ring $\varnothing 18.2 \times \varnothing 1.7$ (Spare part-nr. 0392400M)
- 4: Tubular spout (Spare part-nr. 13015000)
- 4.1: Sealing washer (Spare part-nr. 0128500M)
- 4.2: Safety ring (Spare part-nr. 0485300M)
- 4.3: Mousseur (Spare part-nr. 13929000)
- 5: Escutcheon (Spare part-nr. 45540000)
- 6: Shank mounting kit (Spare part-nr. 46249000)
- 7: Fibre seal $\varnothing 14.5 \times \varnothing 8 \times 2$ (Spare part-nr. 0138300M)